



Distributed Energy Resources Flexibility in a Multi-Carrier Energy System Environment

Richert, Thibaut Pierre

Publication date:
2016

Document Version
Publisher's PDF, also known as Version of record

[Link back to DTU Orbit](#)

Citation (APA):
Richert, T. P. (2016). *Distributed Energy Resources Flexibility in a Multi-Carrier Energy System Environment*. Poster session presented at PowerLabDK Grand Opening, Kgs. Lyngby, Denmark.

General rights

Copyright and moral rights for the publications made accessible in the public portal are retained by the authors and/or other copyright owners and it is a condition of accessing publications that users recognise and abide by the legal requirements associated with these rights.

- Users may download and print one copy of any publication from the public portal for the purpose of private study or research.
- You may not further distribute the material or use it for any profit-making activity or commercial gain
- You may freely distribute the URL identifying the publication in the public portal

If you believe that this document breaches copyright please contact us providing details, and we will remove access to the work immediately and investigate your claim.



Distributed Energy Resources Flexibility in a Multi-Carrier Energy System Environment

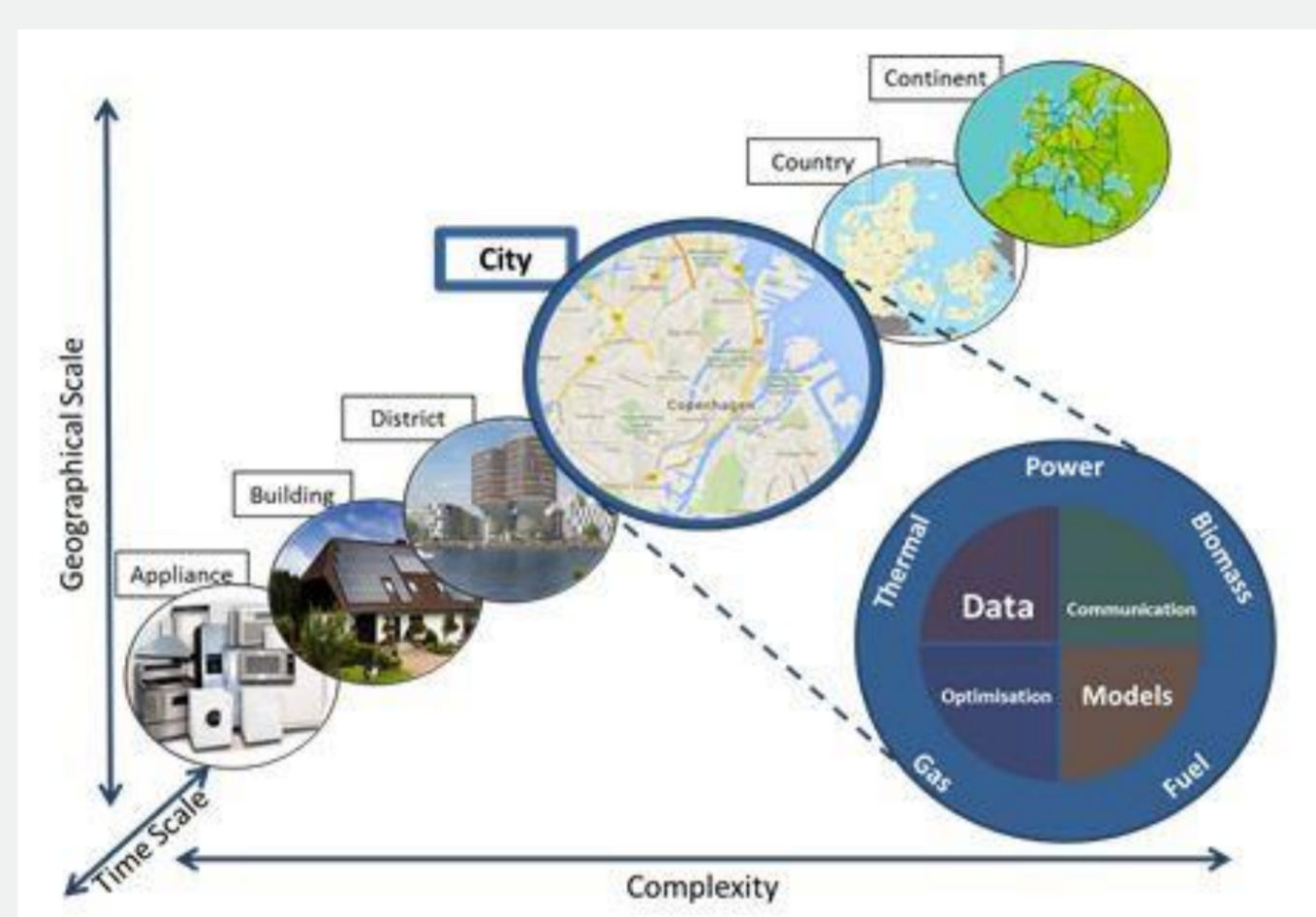
PhD student: Thibaut Richert

Supervision: Henrik W. Bindner, Oliver Gehrke, Henrik Madsen

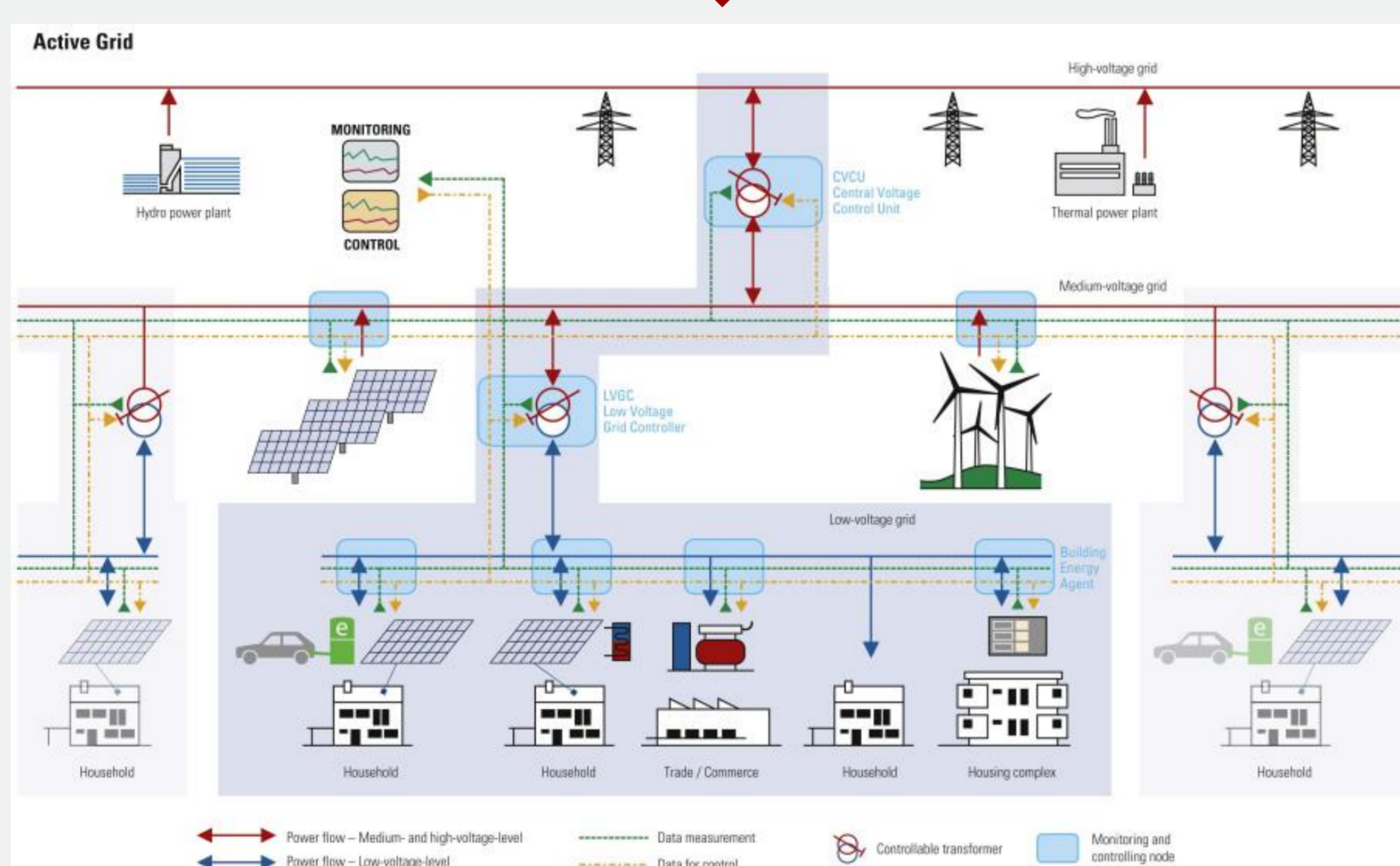
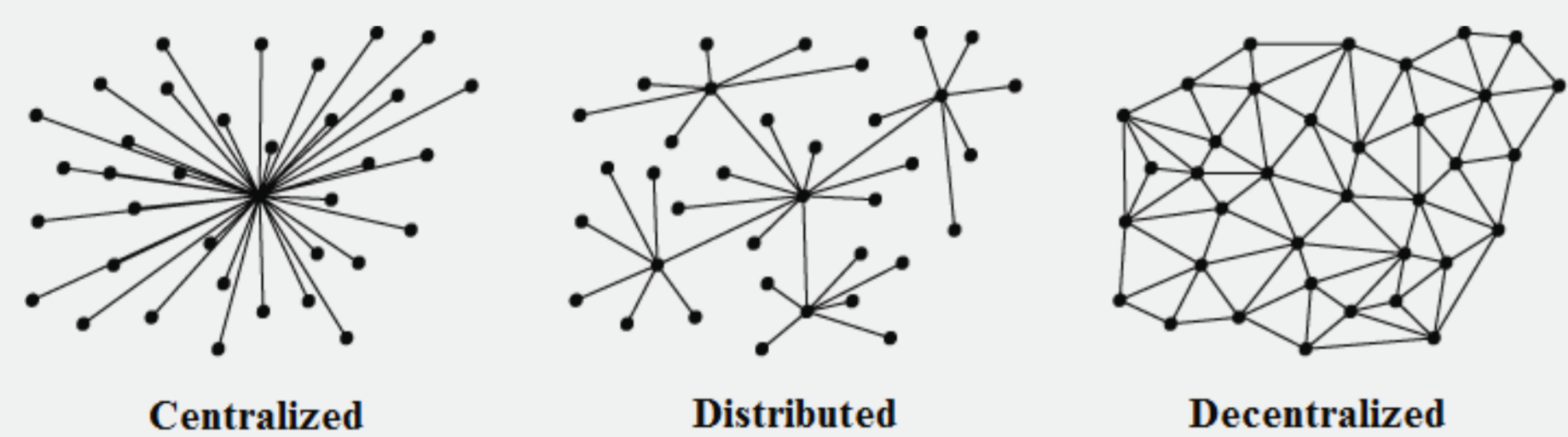
Develop methods for aggregated simulation. Investigate methods for classification and aggregation of energy components (DERs), including the network and associated constraints, and express the technologies at more generic, statistical and scalable levels.

Project description

Develop methodologies and ICT solutions for the analysis, operation and development of fully integrated urban energy systems. A holistic research approach will be developed that aims to provide solutions at all levels between the appliance and the total system, and at all time scales between operations and planning.

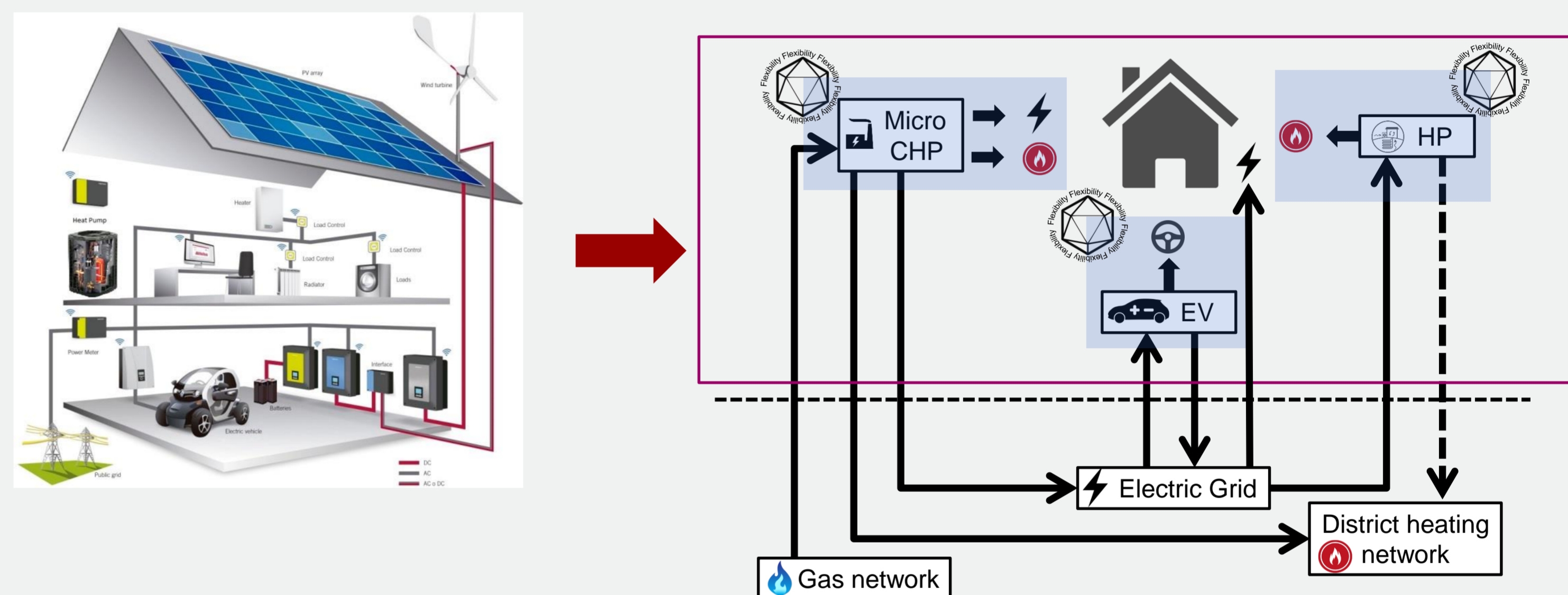


CITIES, aims at tackling the deficiencies related to Smart Grid. Its research activities supports the Danish target of a 100% renewable energy system by establishing an **integrated research** center covering all aspects of the energy system, **including gas, power, district heating/cooling and biomass**, and most importantly methods to forecast, control and optimize their interactions through the use of advanced ICT solutions.

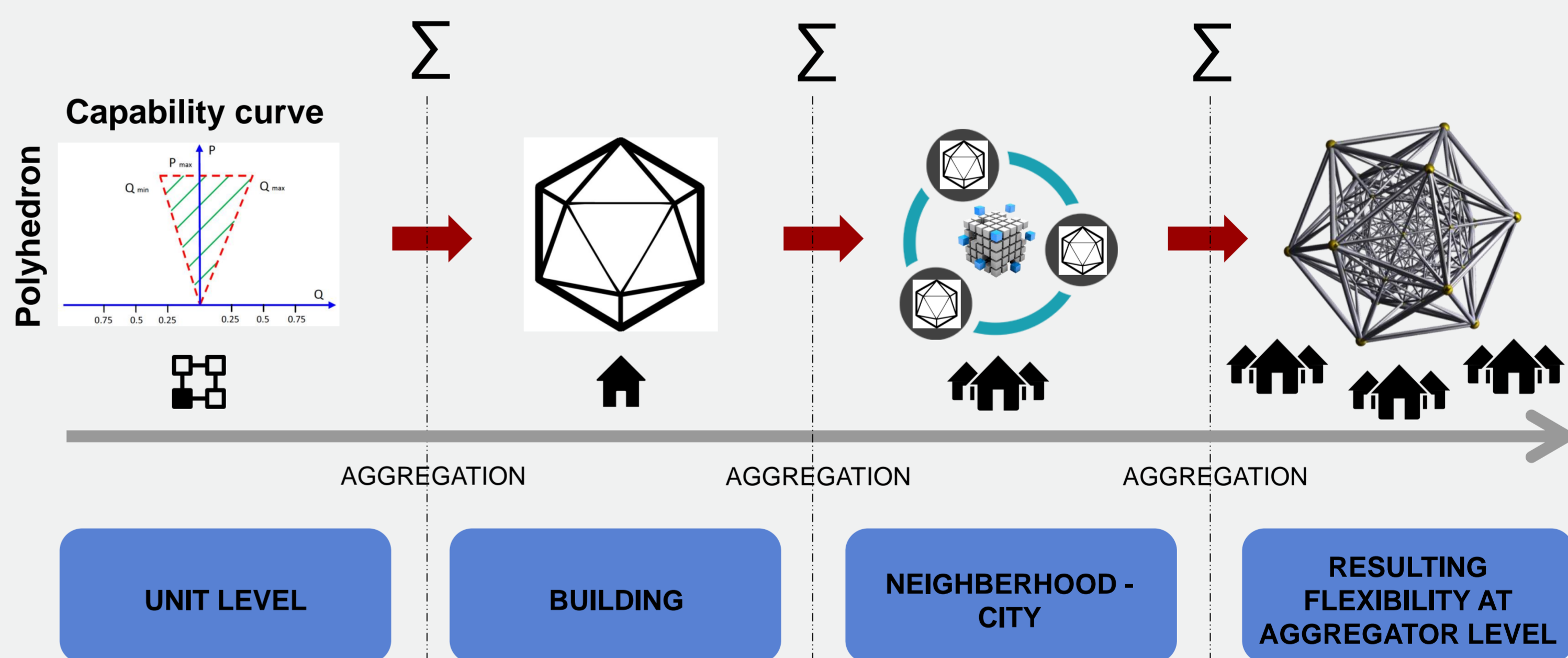


The current energy system evolves towards more and more decentralized energy generation with the diversification of distributed energy resource (DERs) at individual buildings level. The system as a whole becomes highly inter-connected with the heat and gas network coming more into play since heat pumps and micro CHP units have become popular. DERs could provide flexibility (and other services) to TSOs and DSOs. However, in this new highly collaborative energy system where different energy carrier interact with each other, flexibility definition needs to be reshaped. Conflict of interests might occur between different actors regarding the control of distributed energy assets. Moreover, flexibility is constrained by more than one dimension (mostly electrical so far) and needs to be redefined to account for the multi-carrier environment in which DERs are evolving.

Multi-carrier energy system and flexibility - aggregation



Flexibility is first defined at a unit level (lowest level of the system) in form of a capability zone. This flexibility is multi-dimensional and its "shape" is more or less complex depending on the number of constraints under which the resource is operated. Electric Vehicles are only subject to electrical constraints for instance, while Heat Pumps have limitations from both the electrical and the heat side (CHP are even more complex with gas as an additional constraint). Once this flexibility is defined for the different DERs, polyhedron aggregation (multi-dimensional flexibility summation) allows to aggregate at different levels. Aggregation can be performed by unit type, service type etc... and later on dispatched in an optimal fashion using resource allocation and optimization methods.



Control of DERs



Defining the available flexibility of an energy asset aims at controlling its operation in an optimal manner via an aggregator. Control is performed under network constraints (DH, Electrical grid, gas network), unit constraints (ramping, lock on/off, thermal limits ...etc), comfort constraints (defined with the resource owner). Multidimensional constraints need to be properly evaluated and their associated information and communication technologies (ICTs) must be consistent to harvest the potential flexibility while not violating the constraints. Model predictive control theory offers interesting possibilities to address the aforementioned challenges.

