



Low-complexity BCH codes with optimized interleavers for DQPSK systems with laser phase noise

Leong, Miu Yoong; Larsen, Knud J.; Jacobsen, Gunnar; Zibar, Darko

Published in:
Photonic Network Communications

Link to article, DOI:
[10.1007/s11107-016-0645-0](https://doi.org/10.1007/s11107-016-0645-0)

Publication date:
2017

Document Version
Peer reviewed version

[Link back to DTU Orbit](#)

Citation (APA):
Leong, M. Y., Larsen, K. J., Jacobsen, G., & Zibar, D. (2017). Low-complexity BCH codes with optimized interleavers for DQPSK systems with laser phase noise. *Photonic Network Communications*, 33(3), 328-333. <https://doi.org/10.1007/s11107-016-0645-0>

General rights

Copyright and moral rights for the publications made accessible in the public portal are retained by the authors and/or other copyright owners and it is a condition of accessing publications that users recognise and abide by the legal requirements associated with these rights.

- Users may download and print one copy of any publication from the public portal for the purpose of private study or research.
- You may not further distribute the material or use it for any profit-making activity or commercial gain
- You may freely distribute the URL identifying the publication in the public portal

If you believe that this document breaches copyright please contact us providing details, and we will remove access to the work immediately and investigate your claim.

Low Complexity BCH Codes with Optimized Interleavers for DQPSK Systems with Laser Phase Noise

Miu Yoong Leong · Knud J. Larsen · Gunnar Jacobsen · Darko Zibar ·
Sergey Sergeev · Sergei Popov

Received: date / Accepted: date

Abstract The presence of high phase noise in addition to additive white Gaussian noise in coherent optical systems affects the performance of forward error correction (FEC) schemes. In this paper, we propose a simple scheme for such systems, using block interleavers and binary Bose-Chaudhuri-Hocquenghem (BCH) codes. The block interleavers are specifically optimized for differential quadrature phase shift keying modulation. We propose a method for selecting BCH codes that, together with the interleavers, achieve a target post-FEC bit error rate (BER). This combination of interleavers and BCH codes has very low implementation complexity. In addition, our approach is straightforward, requiring only short pre-FEC simulations to parameterize a model, based on which we select codes analytically. We aim to correct a pre-FEC BER of around 10^{-3} . We evaluate the accuracy of our approach using numerical simulations. For a target post-FEC BER of 10^{-6} , codes selected using our method

result in BERs around $3\times$ target, and achieve the target with around 0.2 dB extra signal-to-noise ratio.

Keywords Optical fiber communications · Error correction codes · Block codes · Phase noise · Cycle slips

1 Introduction

Coherent optical systems have relatively high phase noise (PN) from transmitter and local oscillator (LO) lasers [1–3]. The phase estimation algorithms used in such systems have non-zero probability of cycle slips [4, 5]. However, these effects are often neglected in coding theory, which focuses on additive white Gaussian noise (AWGN) channels where bit errors are independent identically distributed (i.i.d.) [6–8]. Recently, several FEC approaches have been proposed for systems with PN. In [9–11], the authors consider low-density parity-check (LDPC) codes. In [12], we propose a method for selecting binary BCH codes using a correlated bivariate binomial model. However, due to the correlation, the selected codes have high overhead, which reduces system throughput. In [13], we use interleaving to decorrelate errors, thereby reducing code overhead. The analysis in [13] is for theoretical uniform interleavers, so the results there are general. However, those interleavers are too complex for practical implementation.

In this paper, we consider a low-complexity practical interleaver that is specifically optimized for differential quadrature phase shift keying (DQPSK) systems. As in [13], interleaving enables us to use codes with lower overheads. However, compared to [13], the interleavers and codes in this paper have much simpler implementations. First, we propose an optimized interleaver and method for selecting binary BCH codes

This work was supported in part by EU project GRIFFON under Grant 324391, and in part by Vetenskapsrådet under Grant 0379801.

M. Y. Leong and G. Jacobsen
Acreo Swedish ICT, 164 25 Stockholm, Sweden and KTH
Royal Institute of Technology, 164 40 Stockholm, Sweden
E-mail: miuyoong.leong@acreo.se, gunnar.jacobsen@acreo.se

K. J. Larsen and D. Zibar
Technical University of Denmark (DTU), 2800 Kgs. Lyngby,
Denmark
E-mail: knjl@fotonik.dtu.dk, dazi@fotonik.dtu.dk

S. Sergeev
Aston University, Birmingham B4 7ET, United Kingdom
E-mail: s.sergeev@aston.ac.uk

S. Popov
KTH Royal Institute of Technology, 164 40 Stockholm, Sweden
E-mail: sergeip@kth.se

for use with this interleaver. We briefly describe the practical implementation of both interleaver and code. Next, we evaluate the accuracy of our method using numerical simulations. Ours is a straightforward method, based on a simple model, that enables us to design low-complexity interleavers and binary BCH codes for any post-FEC BER with little simulation effort. Compared to our method, the approaches in [9–11] achieve better performance by using soft information. However, those schemes are more complex to implement, and require extensive simulations for low post-FEC BERs.

This paper is organized as follows: in Sec. 2, we describe the system model, optimized interleaver, method for code selection, and practical implementation of the interleaved code. Simulation results and discussion are presented in Sec. 3. Finally, the conclusion is in Sec. 4.

2 Interleavers and Codes

We consider the system in Fig. 1, which is similar to that in [13] but with a different interleaver/deinterleaver. The DQPSK signal is Gray coded. After differential decoding, an AWGN error of $\pm 90^\circ$ gives bit error patterns $\{0101, 1010, 0110, 1001\}$ with probability $1/4$ each. A cycle slip of $\pm 90^\circ$ gives one bit error. We neglect 180° errors as these have very low probabilities. The block interleaver/deinterleaver is shown conceptually in Fig. 2. Although they can be implemented as shown in the figure, a much simpler implementation is used in practice, as we describe at the end of this section. In Fig. 2, data bits are read in by columns, and codes are applied by rows. Identical codes are applied to each interleaver/deinterleaver row. The interleaving degree $\lambda = 4$ is chosen to fit the AWGN error patterns, so each AWGN error gives at most one bit error in a deinterleaver row. The same is true for cycle slip errors. The mapping of AWGN and cycle slip errors to deinterleaver rows is shown in Fig. 3. Unlike [13], where random interleaver permutations in combination with specific error realizations may result in a worse distribution of errors after deinterleaving than before, our deterministic mapping always improves the distribution of errors for coding purposes.

We identify suitable codes for this system in three steps. Step 1: we determine a worst-case pre-FEC operating point. Step 2: we record the error statistics for that point. Step 3: we use those statistics to parameterize a model, based on which we select codes analytically.

For Step 1, we proceed in the same way as in [12,13]. Namely, for a given laser linewidth-symbol time product, we optimize the length of the Viterbi-Viterbi moving average filter using pre-FEC simulations. Then, for the linewidth variations that we want to accommodate,

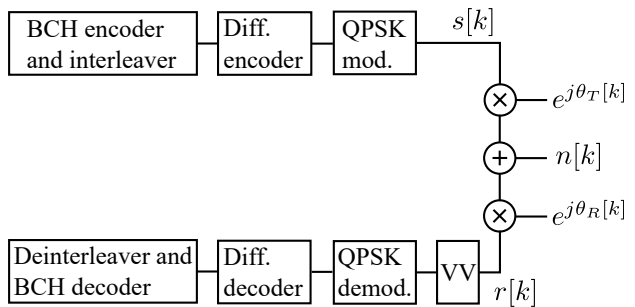


Fig. 1 System model. A random bit sequence is interleaved and BCH encoded (Fig. 2). It is then differentially encoded and QPSK modulated. This yields signal $s[k]$. Channel impairments are transmitter laser PN $\theta_T[k]$, AWGN $n[k]$, and LO laser PN $\theta_R[k]$. Phase estimation on the received signal $r[k]$ is by Viterbi-Viterbi (VV). The signal is QPSK demodulated and differentially decoded. Finally, it is deinterleaved and BCH decoded (Fig. 2).

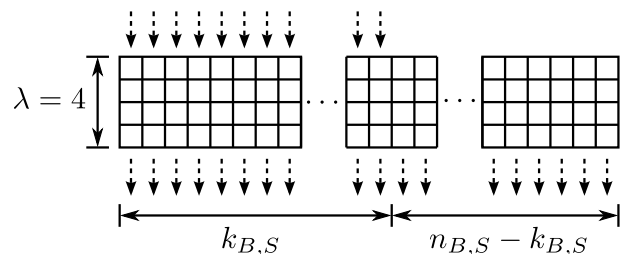


Fig. 2 Conceptual BCH encoder and interleaver. First, $\lambda \cdot k_{B,S}$ data bits are read into the interleaver columnwise. Then BCH encoding is done on each row. Finally, the $\lambda \cdot n_{B,S}$ coded bits are read out columnwise. The interleaving degree λ (number of rows) is fixed to 4. The BCH decoder and deinterleaver are conceptually similar. In these, $\lambda \cdot n_{B,S}$ bits are read in columnwise, decoded in rows, and the resulting $\lambda \cdot k_{B,S}$ bits are read out columnwise.

A1	A2	A3	A4	A5	A6	A7	A8	C1	C2	C3	C4
0	1	0	1	X0	X1	X1	X0	1	0	X0	X0
1	0	1	0	X1	X0	X0	X1	0	1	X0	X0
0	1	1	0	0X	1X	0X	1X	0	0	1X	0X
1	0	0	1	1X	0X	1X	0X	0	0	0X	1X

Fig. 3 Bit error patterns in the deinterleaver before BCH decoding. Rows correspond to the rows of the deinterleaver in Fig. 2. A “1” indicates the presence of a bit error, “0” means no bit error, and “X” means don’t care. (A1–A4) are AWGN error patterns that start on odd (1st, 3rd, 5th, ...) DQPSK symbols, (A5–A8) are AWGN patterns that start on even (2nd, 4th, 6th, ...) symbols, and (C1–C4) are cycle slip patterns.

we simulate a worst-case “poor phase estimate (PE)” curve (Fig. 4).

The rest of this section describes Steps 2 and 3. The code $\text{BCH}(n_{B,S}, k_{B,S})$ is applied to each interleaver/deinterleaver row. It has block length $n_{B,S}$ bits, of which $k_{B,S}$ are data bits. It corrects up to at least τ bit errors and may be a shortened code [8, 12].

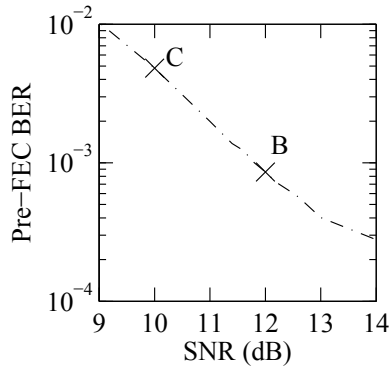


Fig. 4 Poor phase estimate (PE) pre-FEC BER with total linewidth $\Delta\nu_N = 19.6$ MHz. We select codes for “poor PE pre-FEC” points C (signal-to-noise ratio (SNR) 10 dB) and B (SNR 12 dB). The SNR is for symbols $r[k]$ in Fig. 1.

For Step 2, we record the following error statistics:

1. probability of an AWGN bit error in a deinterleaver row p_G ,
2. probability of a cycle slip bit error in a deinterleaver row p_C ,
3. correlation coefficient ρ .

We use the same symbols p_G , p_C , and ρ as in [12], but redefine the quantities they represent. We note that each of the AWGN error patterns in Fig. 3(A1–A8) is equiprobable. Similarly, each of the cycle slip patterns in Fig. 3(C1–C4) is equiprobable. Thus we see from Fig. 3 that bit errors are evenly distributed between deinterleaver rows. Therefore, using identical codes on each row is optimal in the sense that no overhead is wasted on rows with few errors. This property leads to the very simple implementation that we briefly describe at the end of this section.

We now define the error statistics for each row of Fig. 3. For the d -th deinterleaver frame of $4n_{B,S}$ bits, we record the probability of an AWGN bit error on row 1 of the deinterleaver as

$$p_{G,1}[d] \triangleq \frac{\text{number of occurrences of A2, A4, A6, A7}}{4n_{B,S}}. \quad (1)$$

Similarly, the probability of a cycle slip bit error on row 1 of the deinterleaver is

$$p_{C,1}[d] \triangleq \frac{\text{number of occurrences of C1}}{4n_{B,S}}. \quad (2)$$

Let $p_{G,1}$ be the mean of $p_{G,1}[d]$ over the D interleaver frames used in pre-FEC simulations, i.e.

$$p_{G,1} = \frac{1}{D} \sum_{d=1}^D p_{G,1}[d]. \quad (3)$$

Similarly,

$$p_{C,1} = \frac{1}{D} \sum_{d=1}^D p_{C,1}[d]. \quad (4)$$

Due to the influence of AWGN on Viterbi-Viterbi phase estimation, $p_{G,1}$ and $p_{C,1}$ are correlated [12]. We denote their sample correlation coefficient as ρ_1 . Doing this for all rows in Fig. 3 yields $p_{G,r}$, $p_{C,r}$, and ρ_r , where $r \in \{1, 2, 3, 4\}$.

Due to the symmetry of Fig. 3, in the limit, $p_{G,1} = p_{G,2} = p_{G,3} = p_{G,4} \triangleq p_G$. Likewise, $p_{C,1} = p_{C,2} = p_{C,3} = p_{C,4} \triangleq p_C$, and $\rho_1 = \rho_2 = \rho_3 = \rho_4 \triangleq \rho$. To obtain an accurate estimate of p_G , p_C , and ρ , we therefore use all rows and interleaver frames as follows:

$$p_G = \frac{1}{4D} \sum_{r=1}^4 \sum_{d=1}^D p_{G,r}[d] \quad (5)$$

$$p_C = \frac{1}{4D} \sum_{r=1}^4 \sum_{d=1}^D p_{C,r}[d] \quad (6)$$

and

$$\rho = \frac{\sum_{r,d} (p_{G,r}[d] - p_G)(p_{C,r}[d] - p_C)}{\sqrt{\sum_{r,d} (p_{G,r}[d] - p_G)^2 \sum_{r,d} (p_{C,r}[d] - p_C)^2}}. \quad (7)$$

For Step 3, we parameterize the correlated bivariate binomial probability density function (PDF) $\Pr(Y_G = y_G, Y_C = y_C)$ in [12] with the redefined parameters p_G , p_C , and ρ in (5)–(7). Additionally, in the equation for $\Pr(Y_G = y_G, Y_C = y_C)$ [12], we replace all instances of $n_{B,S}$ by $4n_{B,S}$.

The decoding algorithm is assumed to be of the bounded-distance type correcting up to τ errors and leaving the received sequence unchanged in the case of more than τ errors. In other words, neglecting the possibility of decoding to a wrong codeword [12], a code block (deinterleaver row) which has e bit errors before BCH decoding will have no errors after BCH decoding if $e \leq \tau$. If $e > \tau$ there will be, on average, $e(k_{B,S}/n_{B,S})$ bit errors in the $k_{B,S}$ bits after decoding.

The total number of bit errors in a deinterleaver row is $y_G + y_C$. Thus, the probability of a non-decodable codeword is

$$P_B = \sum_{(y_G, y_C: y_G + y_C \geq \tau + 1)} \Pr(Y_G = y_G, Y_C = y_C). \quad (8)$$

To relate P_B to post-FEC BER, we apply the same approximations as in [12]. Assuming $n_{B,S}(p_G + p_C) \ll \tau$, we approximate the probability tail by its three largest boundary terms,

$$P_B \approx \sum_{(y_G, y_C: \tau + 3 \geq y_G + y_C \geq \tau + 1)} \Pr(Y_G = y_G, Y_C = y_C). \quad (9)$$

Three terms are used because the PDF of $\Pr(Y_G = y_G, Y_C = y_C)$ is two-dimensional. Post-FEC BER is

$$P_{\text{post}} \approx \left(\frac{\tau + 1}{n_{B,S}} \right) P_B. \quad (10)$$

Using (5)–(7) from pre-FEC simulations and (9)–(10), we calculate the required τ to meet a target post-FEC BER for a chosen block length $n_{B,S}$. Our method does not restrict the choice of block length. The combination $n_{B,S}$ and τ specifies the BCH code.

We now briefly describe a simple implementation of the code and interleaver/deinterleaver. While they may be implemented as shown in Fig. 2, a simpler solution exists. The key to recognizing this is to note that, if the generator polynomial for the BCH($n_{B,S}, k_{B,S}$) code is $g(X)$, then the generator polynomial for the interleaved code is $g(X^\lambda)$ [8]. Therefore, an encoder and decoder for the interleaved code can be obtained from that of the base code, by replacing each shift register in the base implementation with λ shift registers. This causes the circuit to operate on successive rows during successive clock cycles. Thus, the interleaved code can be implemented with the same hardware as the base code plus additional shift registers.

Another popular interleaver is the S -random interleaver [14]. Compared to the block interleaver in this section, S -random interleavers are more complex to implement. Since the permutation in S -random interleavers is not regular, their implementation cannot be reduced to the addition of shift registers. Instead, their permutation must be either pseudo-randomly generated or stored in a lookup table.

The uniform interleaver in [13] is a theoretical construct. Implementation would require an ensemble of pseudo-random generators, which is not practical.

3 Results and Discussion

We evaluate our method using Monte-Carlo simulations for the system in Fig. 1. As an example to illustrate the use of our scheme to accommodate significant linewidth variations, we assume that a 41-tap moving average filter for Viterbi-Viterbi was optimized for symbol rate $1/T_S = 28$ Gbaud and combined transmitter-and-LO laser linewidths $\Delta\nu_N < 100$ kHz. We further assume that the worst-case pre-FEC performance for the system occurs with a linewidth of $\Delta\nu_N = 19.6$ MHz, and simulate this numerically as “poor PE pre-FEC” in Fig. 4. Pre-FEC BER and error statistics (described in Sec. 2) are calculated using 4×10^6 bits. Simulations are modeled in VPI [15].

In our example, we select codes for points B and C in Fig. 4. We aim for a target post-FEC BER of 10^{-6}

Table 1 Codes for post-FEC simulations in Fig. 5. Codes “B1/C1” are selected using the method in [12], “B2/C2” are selected using [13] for interleaver length $L = 4$ code blocks, and “B4/C4” are selected using Sec. 2. Overhead is $(n_{B,S} - k_{B,S})/k_{B,S}$.

Post-FEC curve in Fig. 5	Code	τ	Overhead (%)
B1	BCH(8190,7891)	23	3.8
B2	BCH(8190,7943)	19	3.1
B4	BCH(8190,7956)	18	2.9
C1	BCH(8190,7228)	75	13.3
C2	BCH(8190,7332)	67	11.7
C4	BCH(8190,7358)	64	11.3

using a block length of $n_{B,S} = 8190$ bits. Following the semi-analytical method in Sec. 2, we obtain codes B4 and C4 listed in Table 1. We implement each code in turn into the simulator (Fig. 1). Monte-Carlo simulations thus yield two post-FEC BER curves (“B4” and “C4” in Fig. 5). Close to the target signal-to-noise ratios (SNRs) (10 ± 0.4 dB for “C” and 12 ± 0.4 dB for “B”), post-FEC BERs are calculated on 10^8 post-FEC bits. At lower SNRs (higher BERs), 10^7 post-FEC bits are used to shorten simulation times. Since C4 is a stronger code, its post-FEC curve is steeper than B4. The error floor caused by PN is effectively mitigated by the BCH codes, which do not themselves have an error floor. The codes selected with our method give BERs around $2 \times$ the post-FEC target. They meet the target post-FEC BER with around 0.1 dB extra SNR (target SNR is 10 dB for C4 and 12 dB for B4), which is a negligible difference in practical systems. In other words, our method accurately identifies minimum-overhead BCH codes that, together with the optimized block interleaver, achieve performance close to target.

In the example above, we use the same symbol rate, linewidth, filter, and block length as in [12, 13]. At a particular operating point (e.g. “B” in Fig. 5), a shorter block length would generally require a code with higher overhead for the same target post-FEC BER.

At lower post-FEC BERs, the leading-order approximation in (9) becomes more accurate, i.e. approximation error is less at practical post-FEC BERs of 10^{-15} than in our example with 10^{-6} . On the other hand, any inaccuracies in fitting the model $\Pr(Y_G = y_G, Y_C = y_C)$ based on pre-FEC simulations become more apparent at lower post-FEC BERs. As we simulate at most 10^8 post-FEC bits due to simulation limitations, the model has not been verified down to post-FEC BERs of 10^{-15} . Nevertheless, the accuracy of our results shows that the model captures the main behavior of the system.

For comparison, we select code B2 using [13] with a uniform interleaver of length $L = 4$ code blocks. Codes

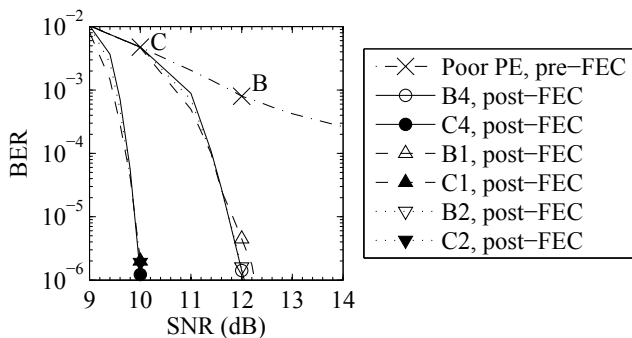


Fig. 5 BER performance with total linewidth $\Delta\nu_N = 19.6$ MHz. “Poor PE pre-FEC” is the same as Fig. 4. The codes used for post-FEC simulations are listed in Table 1. Codes “B4/C4” are selected using the method in Sec. 2, “B1/C1” are selected using the method in [12], and “B2/C2” are selected using [13] for interleaver length $L = 4$ code blocks.

B2 and B4 therefore have the same interleaver frame length of $4n_{B,S}$ bits, but the former uses theoretical uniform interleaving [13] whereas the latter uses low-complexity practical block interleaving (Sec. 2). Both have similar error correcting capabilities τ and overheads (Table 1), and similar post-FEC performance (Fig. 5). This is also the case for codes C2 and C4 which again have interleaver frame lengths of $4n_{B,S}$ bits, where the former uses theoretical uniform interleaving [13] and the latter uses low-complexity practical block interleaving (Sec. 2). In other words, our method results in a simple practical implementation with similar code overhead as theoretical uniform interleaving. In addition, we select code B1 using the method in [12] with no interleaving. As expected, both B2 and B4 have lower overheads than B1. In fact, post-FEC simulations for B1 (Fig. 5) suggest that a code with even higher overhead is needed to achieve the BER target of 10^{-6} at 12 dB SNR. Likewise, we also select code C1 using the method in [12] with no interleaving, and find that both C2 and C4 have lower overheads than C1.

At SNRs other than the target points B and C, the post-FEC BERs in Fig. 5 depend on the choice of code, the pre-FEC error statistics (described in Sec. 2, [12, 13]) of the different schemes at those SNRs, and the fit of those statistical models.

Coding and interleaving introduce additional processing time into the system. While exact numbers are implementation-specific, we can obtain an order-of-magnitude estimate as follows. We assume that encoding is done by shifting bits into a linear feedback shift register (LFSR) and simultaneously into the channel [8], so latency is negligible. We assume that decoding is dominated by syndrome computation and error-location numbers computation, where the former is done as bits are shifted into an $n_{B,S}$ bit buffer and simultaneously into

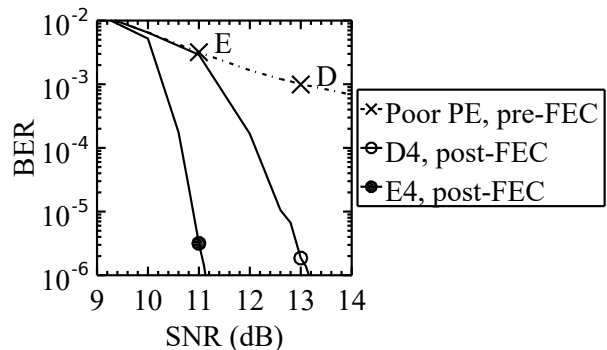


Fig. 6 BER performance with total linewidth $\Delta\nu_N = 25.2$ MHz. Codes “D4/E4” are selected using the method in Sec. 2. Code D4 is BCH(8190,7930) with $\tau = 20$ and overhead 3.3%. Code E4 is BCH(8190,7579) with $\tau = 47$ and overhead 8.1%.

LFSRs, and the latter as they are shifted out [8], thus totaling $2\lambda n_{B,S}$ clock cycles. For a bitrate of $2/T_S = 56$ Gbps, $\lambda = 4$, and codes B4/C4 in Table 1, this is approximately $1 \mu\text{s}$. By comparison, it takes approximately 1 ms for a signal to traverse 200 km of fiber.

We also evaluate our method for the more extreme linewidth of $\Delta\nu_N = 25.2$ MHz (Fig. 6), which has a pre-FEC BER floor just below the 10^{-3} level that our method aims to correct. Using the method in Sec. 2 for a target post-FEC BER of 10^{-6} , we obtain codes D4 and E4 in Fig. 6. Simulations yield BERs around $3\times$ target, and achieve the target with around 0.2 dB extra SNR. This is similar to the results in Fig. 5.

4 Conclusion

In this paper, we present a block interleaver that is optimized for DQPSK systems, and a semi-analytical method for selecting binary BCH codes for use with this interleaver. This combination of interleavers and codes has very low implementation complexity. Our approach is straightforward and requires only modest simulation effort to extract statistics from pre-FEC simulations, based on which codes are selected analytically. As an example, we evaluate our approach for a 28 Gbaud system with linewidths ranging from < 100 kHz to 25.2 MHz. For a target post-FEC BER of 10^{-6} , the codes identified with our method give BERs around $3\times$ target, and achieve the target with around 0.2 dB extra SNR.

Future research could consider higher-order modulation formats such as those in [16–18]. This would introduce additional effects and considerations. For example, in general circular differential quadrature amplitude modulation, constellation points are arranged on rings of different amplitudes. Different rings can have

different numbers of points at arbitrary rotations, and perfect Gray coding is not always possible. This gives more degrees of freedom when optimizing the constellation and more factors to consider when selecting codes. Other interesting effects to consider could include non-linear phase noise [19], and the interplay between PN and chromatic dispersion [20, 21].

References

1. I. Garrett, G. Jacobsen, *Optoelectronics*, IEE Proceedings J **136**(3), 159 (1989)
2. G. Jacobsen, I. Garrett, *Electron. Lett.* **21**(7), 268 (1985)
3. F. Mogensen, G. Jacobsen, H. Olesen, *Optical and Quantum Electronics* **16**(2), 183 (1984)
4. T. Pfau, in *Proc. OFC* (2014). W4K.1
5. M.G. Taylor, *J. Lightw. Technol.* **27**(7), 901 (2009)
6. A. Leven, L. Schmalen, in *Proc. ECOC* (2013). We.2.C.1
7. F. Chang, K. Onohara, T. Mizuochi, *Communications Magazine*, IEEE **48**(3), S48 (2010)
8. S. Lin, D.J. Costello, *Error Control Coding*, 2nd edn. (Prentice Hall, 2004)
9. L. Schmalen, *J. Lightw. Technol.* **33**(7), 1319 (2015)
10. T. Koike-Akino, K. Kojima, D. Millar, K. Parsons, Y. Miyata, W. Matsumoto, T. Sugihara, T. Mizuochi, in *Proc. OFC* (2014). M3A.3
11. F. Yu, N. Stojanovic, F. Hauske, D. Chang, Z. Xiao, G. Bauch, D. Pflueger, C. Xie, Y. Zhao, L. Jin, Y. Li, L. Li, X. Xu, Q. Xiong, in *Proc. ECOC* (2011). We.10.P1.70
12. M.Y. Leong, K.J. Larsen, G. Jacobsen, S. Popov, D. Zibar, S. Sergeyev, *J. Lightw. Technol.* **32**(21), 4048 (2014)
13. M.Y. Leong, K.J. Larsen, G. Jacobsen, S. Popov, D. Zibar, S. Sergeyev, *IEEE Photon. Technol. Lett.* **27**(7), 685 (2015)
14. S. Dolinar, D. Divsalar, TDA Progress Report 42–122 (1995)
15. (2015). URL www.vpiphotonics.com
16. W.J. Weber, III, *IEEE Trans. Commun.* **26**(3), 385 (1978)
17. T. Pfau, X. Liu, S. Chandrasekhar, in *Optical Communication (ECOC), 2011 37th European Conference and Exhibition on* (2011), pp. 1–3
18. R. Krishnan, A. Graell i Amat, T. Eriksson, G. Colavolpe, *IEEE Trans. Commun.* **61**(12), 5056 (2013)
19. J.P. Gordon, L.F. Mollenauer, *Opt. Lett.* **15**(23), 1351 (1990)
20. T. Xu, G. Jacobsen, S. Popov, J. Li, A.T. Friberg, Y. Zhang, *Opt. Express* **19**(8), 7756 (2011)
21. G. Jacobsen, T. Xu, S. Popov, J. Li, A.T. Friberg, Y. Zhang, *Opt. Express* **19**(15), 14487 (2011)