



Microgrid for Alcântara Launch Center in Brazil

Oliveira, Hércules A.; Santos, Luiza Higino S.; Ribeiro, Luiz Antonio De Souza; de Matos, José G. ; Savaghebi, Mehdi

Publication date:
2023

Document Version
Publisher's PDF, also known as Version of record

[Link back to DTU Orbit](#)

Citation (APA):
Oliveira, H. A., Santos, L. H. S., Ribeiro, L. A. D. S., de Matos, J. G., & Savaghebi, M. (2023). *Microgrid for Alcântara Launch Center in Brazil*. Poster session presented at EnergyVille 2023 Symposium on Microgrids, Genk, Belgium.

General rights

Copyright and moral rights for the publications made accessible in the public portal are retained by the authors and/or other copyright owners and it is a condition of accessing publications that users recognise and abide by the legal requirements associated with these rights.

- Users may download and print one copy of any publication from the public portal for the purpose of private study or research.
- You may not further distribute the material or use it for any profit-making activity or commercial gain
- You may freely distribute the URL identifying the publication in the public portal

If you believe that this document breaches copyright please contact us providing details, and we will remove access to the work immediately and investigate your claim.

Microgrid for Alcântara Launch Center in Brazil

Hércules A. Oliveira¹, Luiza Higino S. Santos², Luiz A. S. Ribeiro^{1,3}, José G. de Matos¹, Mehdi Savaghebi³

¹ Federal University of Maranhão (UFMA), Brazil

² University of Campinas (UNICAMP), Brazil

³ Technical University of Denmark (DTU), Denmark

Abstract

Some microgrid challenges arise when operating isolated from the main grid precisely because the local distribution network becomes an ungrounded delta circuit and the microgrid power sources have low short-circuit capacity. The main problems are the non-detection of ground overcurrent in an earth fault event, the unbalance between voltages measured by voltage transformers connected between phases-to-earth, and black start. These issues were resolved through adjustments in the protection relays of the sources and medium voltage circuit breakers, in addition to the implementation of effective control strategies in the Energy Management System.

Specifications and field results

The microgrid at the Alcântara Launch Center in São Luís, Brazil, was designed to increase reliability, resilience, and power quality, especially during rocket launch campaigns, when it is essential to guarantee power supply and energy quality. This microgrid was used as a case study and comprises a 1 MW photovoltaic system, a battery energy storage system (BESS) with 1 MW / 1 MWh lithium-ion batteries, a backup system with 1.125 MVA diesel generators, and automatic monitoring and control systems.

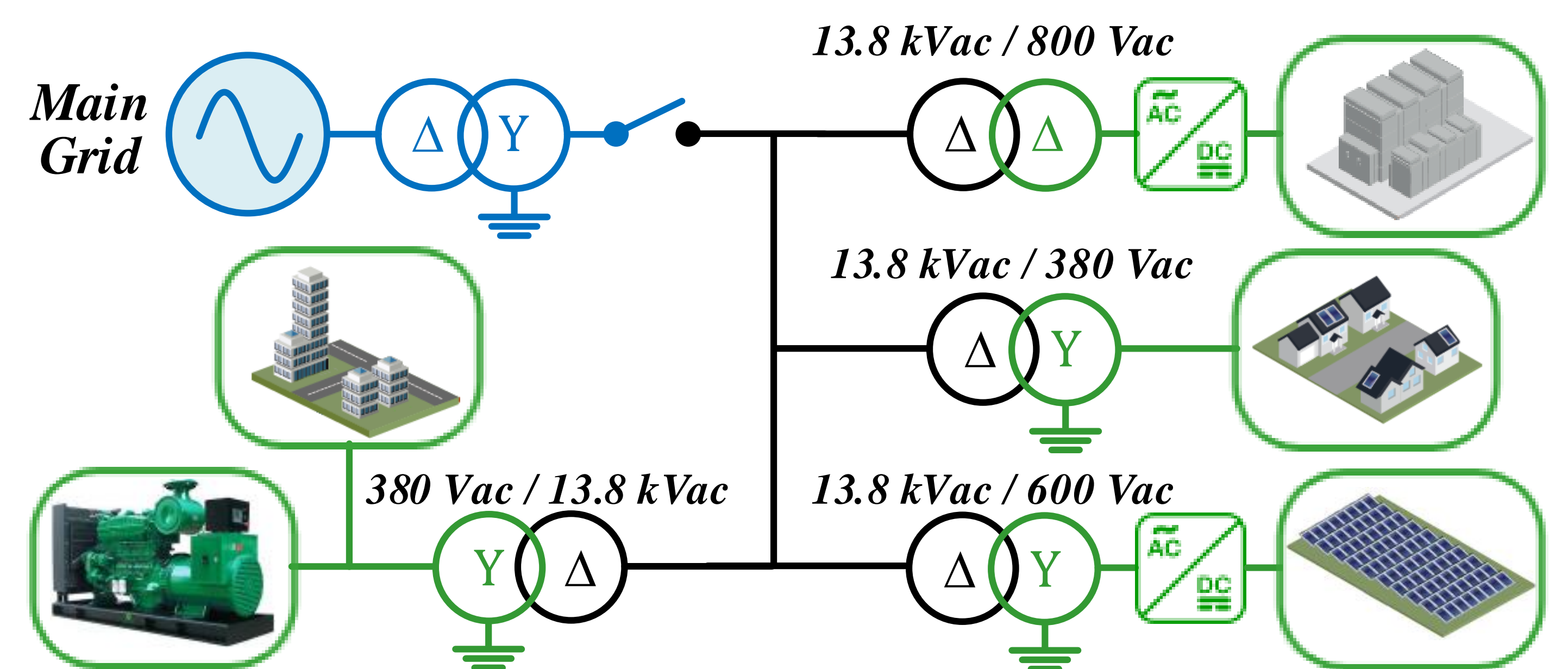


Fig. 1. Simplified diagram of the ALC-μGrid medium voltage network.

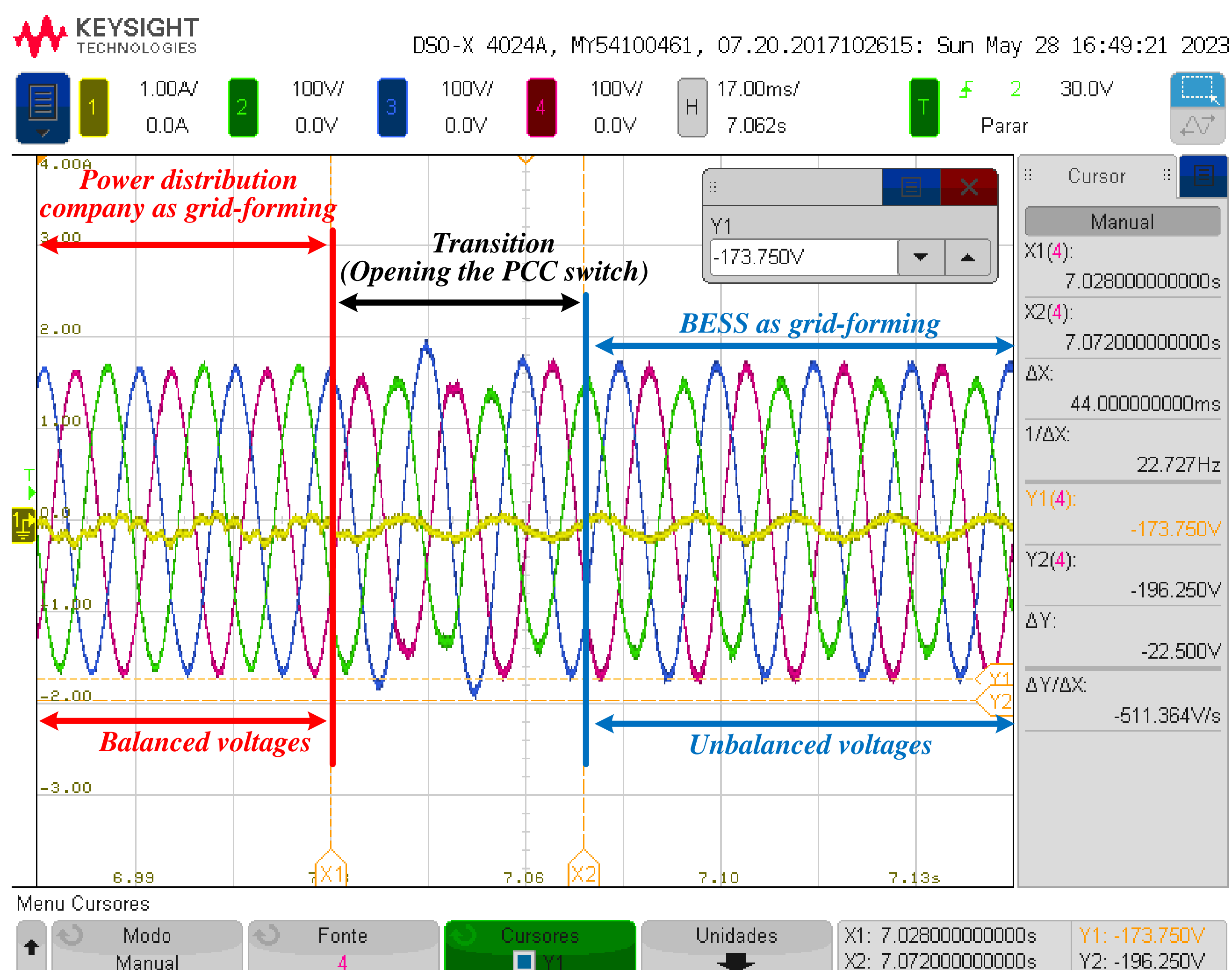


Fig. 2. Voltages in transition from on-grid to off-grid

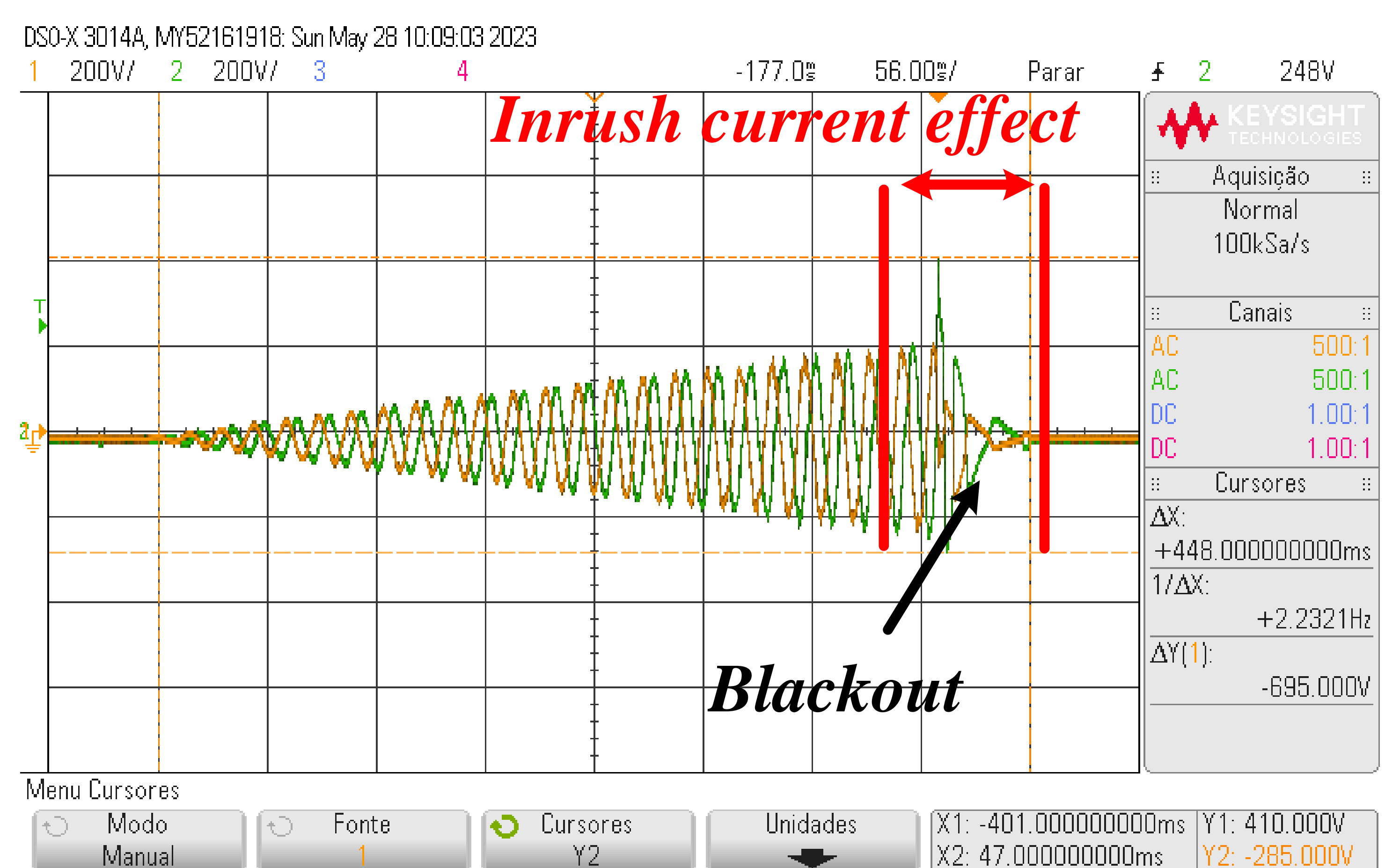


Fig. 4. Black start: protection tripping due to inrush current

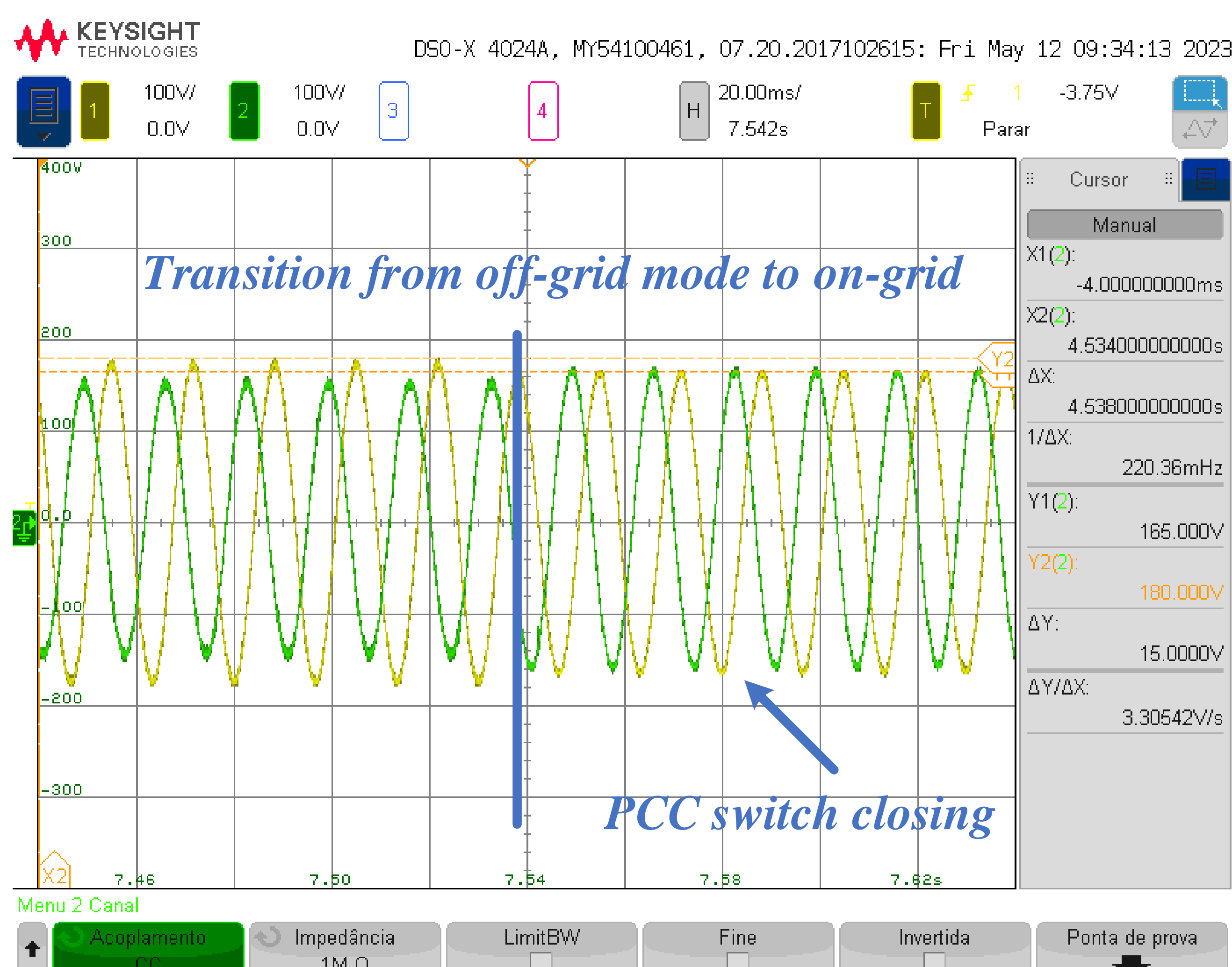


Fig. 3. Voltages in transition from off-grid to on-grid

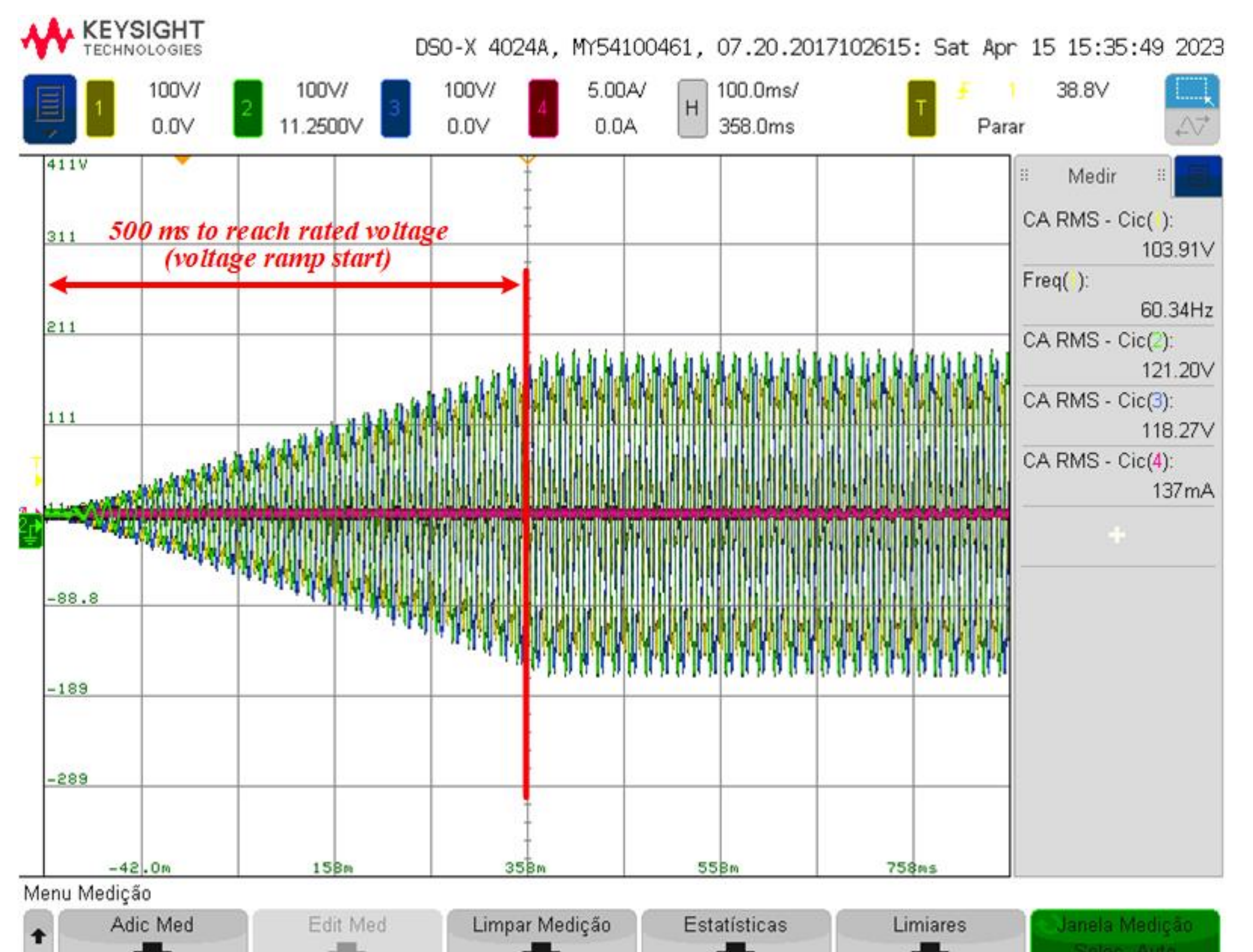


Fig. 5. Black start: without protection tripping