



## Measurement of record-low residual jitter in 40-GHz monolithic mode-locked lasers

Larsson, David; Yvind, Kresten; Hvam, Jørn Märcher

*Published in:*  
Conference on Lasers and Electro-Optics, 2005. (CLEO).

*Publication date:*  
2005

*Document Version*  
Publisher's PDF, also known as Version of record

[Link back to DTU Orbit](#)

*Citation (APA):*  
Larsson, D., Yvind, K., & Hvam, J. M. (2005). Measurement of record-low residual jitter in 40-GHz monolithic mode-locked lasers. In *Conference on Lasers and Electro-Optics, 2005. (CLEO)*. (Vol. 3). IEEE.

---

### General rights

Copyright and moral rights for the publications made accessible in the public portal are retained by the authors and/or other copyright owners and it is a condition of accessing publications that users recognise and abide by the legal requirements associated with these rights.

- Users may download and print one copy of any publication from the public portal for the purpose of private study or research.
- You may not further distribute the material or use it for any profit-making activity or commercial gain
- You may freely distribute the URL identifying the publication in the public portal

If you believe that this document breaches copyright please contact us providing details, and we will remove access to the work immediately and investigate your claim.

# Measurements of record-low residual jitter in 40-GHz monolithic mode-locked lasers

David Larsson, Kresten Yvind and Jørn M. Hvam

Research Center COM, Ørsted's Plads 345V, Technical University of Denmark, DK-2800 Kgs. Lyngby, Denmark  
Tel: +45-4525 5763, fax: +45-4593 6581, e-mail: [dla@com.dtu.dk](mailto:dla@com.dtu.dk)

**Abstract:** We have performed residual phase-noise measurements on 40-GHz mode-locked lasers. The intrinsic jitter of lasers with 1, 2 and 3 QWs is compared and a minimum of 39 fs is found for the 1-QW device.

© 2004 Optical Society of America

**OCIS codes:** (060.4510) Optical communications; (140.4050) Mode-locked lasers; (140.5960) Semiconductor lasers

Mode-locked lasers are attractive components for pulse generation and all-optical clock-recovery in high-speed optical time-division multiplexed systems and for high-speed optical sampling systems; applications that put high demands on the timing stability. The requirements on stability, compactness and ease of integration, favour monolithic semiconductor devices over other types [1]. We have recently demonstrated all-active mode-locked lasers with ultra-low amplitude and timing jitter [2], but unfortunately our jitter measurement was limited by driving oscillator noise and the spectrum analyzer dynamic range. In this paper we describe how we have constructed a wideband residual phase-noise measurement set-up working at 40 GHz, which to our knowledge is the first of its kind at this frequency, and used it to measure the intrinsic timing jitter of our lasers.

While standard absolute phase noise measurements only measures the phase noise close to the carrier, the phase noise at large offsets, i.e. on a short timescale is in fact the most important for most optical signal processing. The slow part of the jitter can be tracked by a clock recovery circuit (CR), but the high-frequency jitter will always be present and may give detrimental performance in optical signal processing systems. Our measurement technique is based on the von der Linde method [3], but overcomes the drawbacks of oscillator noise and spectrum analyzer thermal noise, which reduces the important high frequency dynamic-range. Similar residual phase-noise measurements have been performed at lower repetition rates [4-7] such as 10 GHz or lower. However, when increasing the repetition rate the upper limit of integration scales with this rate and requires a very high bandwidth of the electronics. The present set-up uses waveguide components to cover the full Q-band (33 GHz – 50 GHz) and allows practical measurement to 10 GHz offset, which is enough to observe all the characteristic features of the spectrum and to extrapolate to the Nyquist frequency of 20 GHz. The distinction between slow and fast jitter, equivalent to the choice of lower integration limit, will depend on the bandwidth of the CR circuit and possibly also the path length difference between the CR signal and data stream, if optical signal processing is used.

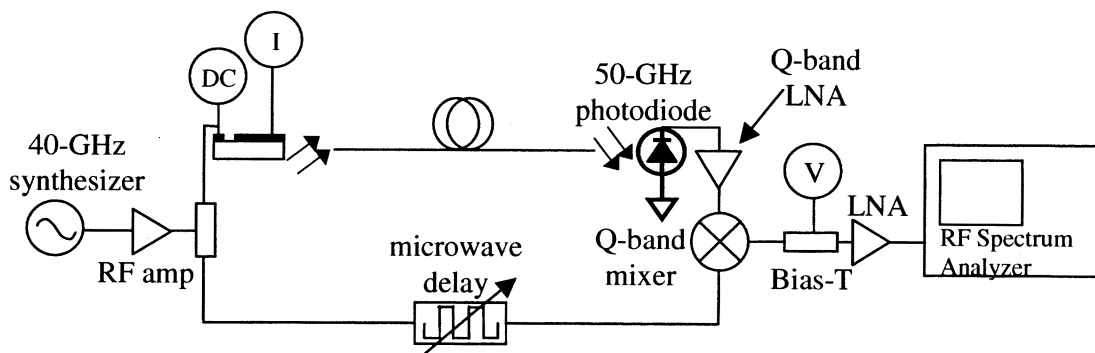


Fig. 1. Residual phase-noise measurement set-up operating at 40 GHz.

The device under test (DUT) is our laser, the optical fibre and the photo diode. The measurement system, figure 1, consists of an electrical delay line, a mixer and two low-noise amplifiers. The delay line is tuned so that the RF- and LO-signal to the mixer are in quadrature. Since the measurement only rejects oscillator phase-noise for frequencies  $f \leq 1/4\Delta t$ , where  $\Delta t$  is the path difference between the two

## CThN2

arms, it is important to have both a quiet oscillator and a short fibre between laser and detector [8]. As a consequence, we make use of an Agilent E8247C synthesizer with “ultra-low phase-noise” option and a fibre length of 2 m. The RF-spectrum is measured with an Agilent LWA-system. The system was calibrated using 2 synthesizers and a calibration curve is added to all data points to correct for the transfer function of the system. The noise floor is measured with the DUT replaced with an equivalent microwave attenuator.

The design considerations for achieving ultra-low jitter performance in monolithic mode-locked lasers have been discussed in [2] and [9]. The measured devices are low loss ridge waveguide all-active FP-lasers, with 1, 2 or 3 QWs in the active layer, grown in one epitaxial step. The epitaxial material is InGaAsP on InP emitting at 1550 nm, see [2] for details. The synchronisation to an external clock is achieved by modulating the absorber section. All measurements have been performed at 20°C.

Just before the noise measurement, part of the signal is split off to measure the optical power, optical spectra and auto-correlation, see table 1. The operating points, also in table 1, are chosen from an optimisation of the RIN spectra and are not the same as in the earlier publication [2], but similar.

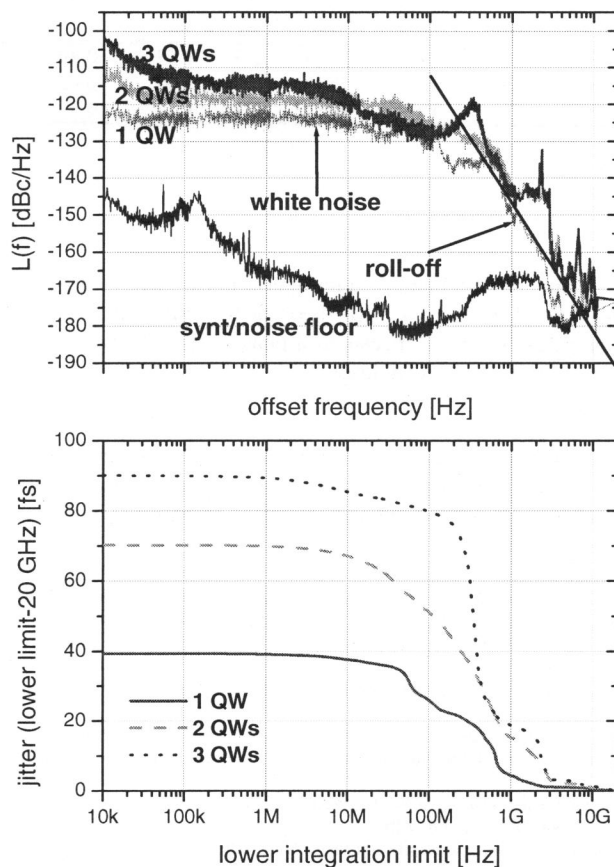


Fig. 2. Top: Residual phase-noise spectra of 1, 2 and 3 QW devices and Agilent E8257C synthesizer. Bottom: Integrated rms jitter from “the lower integration limit” to 20 GHz. All the devices have received the same RF-power, 26 dBm. The operating conditions are given in table 1.

The single-side-band phase-noise spectrum (SSB) in the top part of figure 2 is found from the measured double-side-band spectrum by subtracting 3 dB. The noise spectra have a characteristic white noise plateau, which is as low as  $-123\text{dBc/Hz}$  for the 1-QW device, showing good qualitative

## CThN2

agreement with the theoretical predictions in [10], and quantitative agreement with the absolute phase noise measurements on the same devices in [2]. The “white” spontaneous emission noise is filtered by the cavity with a characteristic corner frequency and a 30-35 dB roll-off, which again qualitatively agree well with the theoretical results of [10] and with the experimental results in [4] and [6]. The lower graph of figure 2 shows the intrinsic laser jitter integrated from a variable lower limit to the Nyquist frequency of 20 GHz. The 1-QW device has a record low timing jitter of only 39 fs, measured in the full band from 10 kHz to 20 GHz offset. Since we are not able to measure the noise correctly after 10 GHz, we calculate an upper estimate of the jitter between 20 GHz and 10 GHz from the noise floor, which already have been reached. This can be safely done since the laser is fundamentally mode-locked and therefore no supermode noise is present. The extrapolated part of the noise-spectra has a minor impact on the overall jitter, contributing with less than 1.2 fs. In fact the two decades of the noise spectra around the corner frequency – approximately 100 MHz here – are the most important contributors to the overall jitter. The white noise plateau is reduced with a lower number of quantum wells. This agrees well with the prediction in [2]: the higher inversion and gain saturation energy of the gain medium results in less pulseshaping dynamics, which reduces the total loss and thus the amplified spontaneous emission noise level.

Table 1. Operating conditions and pulse properties of the devices investigated.

#QW	$I_{\text{gain}}$ mA	$V_{\text{abs}}$ V	$P_{\text{rf}}$ dBm	$f_{\text{rep}}$ GHz	$\lambda$ $\mu\text{m}$	$\Delta\tau$ ps	$\Delta\lambda$ nm	$\Delta\tau\Delta\nu$	$P_{\text{out}}$ mW
1	180	-3.3	26	39.62	1529	2.3	1.55	0.49	6.2
2	200	-3.8	26	39.53	1546	1.35	2.33	0.42	6.8
3	240	-3.7	26	39.50	1571	2.1	1.42	0.39	5.8

### Summary

We have presented the first results of wideband residual phase-noise measurements on 40-GHz mode-locked lasers. The data show good agreement with theoretical predictions, and with similar earlier measurements at lower frequencies. We have measured a phase-noise plateau of  $-123$  dBc/Hz and an intrinsic total integrated jitter of 39 fs for a 1-QW laser.

### Acknowledgements

This work was supported by the Danish Technical Research Council under the SCOOP programme. The authors wish to acknowledge Jesper Hanberg and Thorkild Franck, Intel Copenhagen ApS, for expert assistance and access to growth, processing and calibrated microwave equipment.

### References

- [1] E. A. Avrutin J. H. Marsh and E. L. Portnoi, "Monolithic and multi-GigaHertz mode-locked semiconductor lasers: Constructions, experiments, models and applications," *IEE Proc. Optoelectron.* **Vol. 147**, No. 4, Aug. (2000).
- [2] K. Yvind et al. "Low-Jitter and High-Power 40 GHz All-Active Mode-Locked Lasers," *IEEE Phot. Tech. Letters*, **vol. 16**, no. 4, April (2004).
- [3] D. Von der Linde, "Characterisation of the noise in continuously operating mode-locked lasers," *Applied Physics B*, **vol. 39**, 201-217, (1986).
- [4] L. Jiang et al. "Quantum-limited noise performance of a mode-locked laser diode," *Optics Letters*, **27**(1), 49-51, (2002).
- [5] D. J. Derickson et al. "Residual and absolute timing jitter in actively mode-locked lasers," *Electron. Letters*, **vol. 26**, pp. 2026-2028, (1990).
- [6] T. Yilmaz et al. "Noise in Fundamental and Harmonic Modelocked Semiconductor Lasers: Experiments and Simulations," *IEEE Journal of Quantum Electronics*, **vol. 39**, no. 7, July (2003).
- [7] R. P. Scott et al, "High-Dynamic-Range Laser Amplitude and Phase Noise Measurement Techniques," *IEEE Journal on Selected Topics in Quantum Electronics*, **vol. 7**, no. 4, July/August (2001).
- [8] L. Jiang, "Ultralow-Noise Modelocked Lasers," PhD-thesis, MIT, May (2002).
- [9] L. Jiang et al. "Noise of Mode-Locked Semiconductor Lasers," *IEEE J. on Selected Topics in Quantum Electronics*, **vol. 7**, no. 2, March/April (2001).
- [10] D.G. Hjelme and A. R. Mickelson, "Theory of Timing Jitter in Actively Mode-Locked Lasers," *IEEE Journal of Quantum Electronics*, **vol. 28**, no. 6, June (1992).