



The Thomson Scattering System at DANTE

Gadeberg, M.

Publication date:
1983

Document Version
Publisher's PDF, also known as Version of record

[Link back to DTU Orbit](#)

Citation (APA):
Gadeberg, M. (1983). *The Thomson Scattering System at DANTE*. Risø National Laboratory. Risø-M No. 2397

General rights

Copyright and moral rights for the publications made accessible in the public portal are retained by the authors and/or other copyright owners and it is a condition of accessing publications that users recognise and abide by the legal requirements associated with these rights.

- Users may download and print one copy of any publication from the public portal for the purpose of private study or research.
- You may not further distribute the material or use it for any profit-making activity or commercial gain
- You may freely distribute the URL identifying the publication in the public portal

If you believe that this document breaches copyright please contact us providing details, and we will remove access to the work immediately and investigate your claim.

DN 34 TS φ φ 83

RISØ-M-2397

THE THOMSON SCATTERING SYSTEM AT DANTE

M. Gadeberg

Abstract. This report describes the construction and operation of the 90 deg Thomson Scattering diagnostic at DANTE. The system is based on a double-pulse ruby laser and a three channel spectrometer. Two single point measurements can be made during each plasma discharge.

August 1983

Risø National Laboratory, DK-4000 Roskilde, Denmark

ISBN 87-550-0979-4

ISSN 0418-6435

Risø Repro 1984

CONTENTS

	Page
1. INTRODUCTION	5
2. RUBY LASER AND INPUT OPTICS	6
2.1. Ruby laser	7
2.2. Input optics	11
3. LIGHT COLLECTING OPTICS AND SPECTROMETER	13
3.1. Light collecting optics	14
3.2. Spectrometer	15
4. DATA ACQUISITION SYSTEM	20
4.1. Photomultipliers	20
4.2. Electronics	22
5. CALIBRATION OF DATA ACQUISITION SYSTEM	24
5.1. Calibration of integrating ADC (LeCroy 2250L) ..	25
5.2. Measurement of photomultiplier amplification ...	25
5.3. Absolute calibration of sensitivity	26
5.4. Laser energy monitor calibration	28
5.5. Stray light calibration	28
6. DATA ANALYSIS AND COMPUTER PROGRAMS	29
6.1. Basics of data analysis	29
6.2. Computer programs	31
REFERENCES	37
 APPENDICES	
A. Subroutine THOMWR	38
B. Subroutine THOMSO	43
C. Subroutine THOMST	46
D. Program THOMO	51
E. Programs THOM1, THOM2 and THOM3	56
F. Program THOM4	60

	Page
G. Subroutine ADC12	64
H. Gate pulse Trigger	66
INDEX	69

1. INTRODUCTION

This guide describes the operation of the 90-degree Thomson Scattering diagnostic at DANTE (Danish Tokamak Experiment).

In its present version this diagnostic comprises a double-pulse ruby laser, a two-channel spectrometer and the appropriate optics for focusing the laser onto the scattering volume and imaging this volume on the spectrometer slit. The data acquisition is computerised. Data is read into the control and analysis computer (PDP 11/34A) through CAMAC equipment. A set of subroutines called from the MASTER program perform the data reduction and presents the measured electron temperature and electron density as results. A schematic layout of the system is shown in Fig. 1.

The ruby laser and the focusing optics are described in Section 2 together with the appropriate alignment routine. Section 3 describes the spectrometer and the imaging of the scattering volume on the spectrometer slit. The data acquisition system is the subject of Section 4, and Section 5 contains the calibration procedure for the data acquisition. The available computer subroutines for data reduction and control of the CAMAC equipment are described in Section 6.

A presentation of results obtained with this diagnostic is given by Gadeberg (1983).

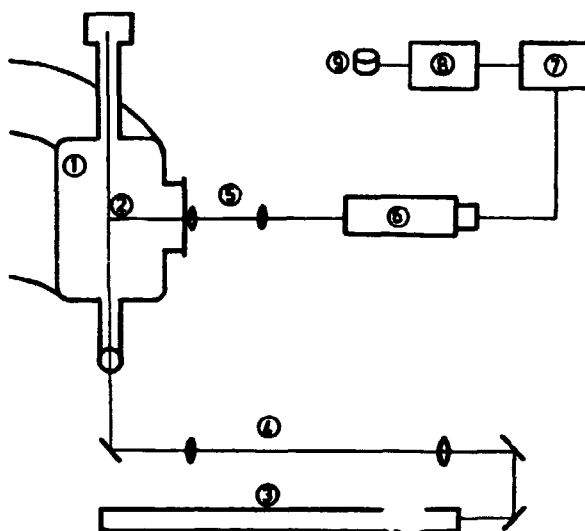


Figure 1. Schematic layout of the Thomson Scattering system at DANTE.

**1: Vacuum chamber 2: Scattering volume 3: Ruby laser
4: Input optics 5: Collecting optics 6: Spectrometer with detectors 7: Data acquisition equipment 8: Computer 9: Data storage**

2. RUBY LASER AND INPUT OPTICS

This section describes the double-pulse ruby laser and the input (focusing) optics of the Thomson scattering system. A layout of the ruby laser and input optics is given in Fig. 2.

Subsection 1 deals with the ruby laser in itself, and in subsection 2 the focusing of the laser on the scattering volume is described together with the alignment of the ruby laser with the tokamak.

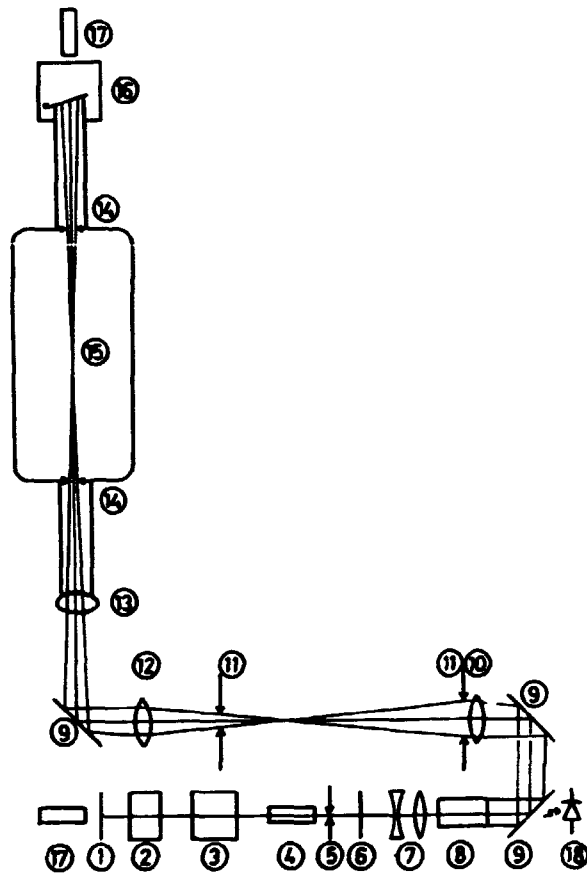


Figure 2. Ruby laser and input optics.

Laser: 1: Laser mirror (100%) 2: Pockels Cell

3: Polarizer 4: Ruby rod, oscillator 5: Aperture

6: Laser mirror (35%) 7: Beam expander 8: Ruby rod, amplifier.

Input optics: 9: 45deg mirror 10: Lens 1, $f=800$ mm

Brewster angle 14: Inner aperture 15: Scattering volume

16: Blue glass beam dump 17: He-Ne laser 18: Laser monitor

2.1. Ruby laser

The ruby laser is built around two commercially available laser heads and a Pockels Cell driver unit from JK Lasers, Rugby, England. The rest of the laser is designed and constructed at Risø. All components of the optical part of the laser are shown

in Fig. 2, and the subsequent numbering of items refers to this figure.

For a detailed description of ruby lasers the reader is referred to Koechners book (1976) on solid-state lasers.

2.1.1. Optical parts

Apart from the laser head (4) (ruby rod: 4" x 3/8") the oscillator consists of the Q-switch (Pockels Cell (2) and polarizer (3)), an aperture (5), and the two laser mirrors (1) and (6) with reflectivity approx. 100% and 35%, respectively. The laser amplifier has only one component: the laser head (8) with a ruby rod 8" x 5/8". The oscillator and amplifier are connected through the beam expander (7). For alignment of the ruby laser a He-Ne laser is mounted at the rear end of the laser.

2.1.2. Cooling

The cooling of the laser heads is done in a closed loop filled with distilled water. This loop includes a heat exchanger and circulation pump. A thermostatic switch on the heat exchanger operates a valve for controlling the flow of tap water for the secondary side of the heat exchanger. The thermostatic switch is adjusted for a temperature of 20 deg C in the closed loop.

2.1.3. Electronics

The flash lamps for pumping the ruby rods are energized by two capacitor banks. Controlling the charging and firing of these banks and of energizing auxiliary equipment is done by two control units (No. 1 for the oscillator and No. 2 for the amplifier).

The cooling switch on the oscillator control unit is used for switching power to the control unit itself, the cooling system, and the power panel at the bottom of the rack. The cooling switch on the amplifier control unit only switches power to this unit. The power keys are used to energize the charging circuits for the capacitor banks.

The charging level of the capacitors is limited by the capacitors to 2800 volts. A three-digit thumb wheel on the front panel sets the charging level. The reading of the dial is not directly related to the charging level. The starting and (pre-)stopping of charging is controlled by two front panel buttons. In order to be able to charge the oscillator the tokamak must be in the charge state. This interlock is to ensure that the door is locked. During maintenance the interlock can be overridden by a switch on the rear panel. A start charge signal is also given by the tokamak control unit when charging the tokamak with diagnostics on. The laser control units respond with a ready signal when the preset charging level is reached.

The firing of the flash lamps is controlled by a front panel trigger on the control unit. Only one trigger lead is needed as the other unit is triggered by the synch pulse of the first unit. The synch pulse of the second unit is used for triggering the Pockels Cell unit. The Pockels Cell unit is set for an internal delay of 1.3 msec before opening the Q-switch. When double pulsing with a separation of 600 microsec and balanced for maximum for pulse 1 the internal delay should be 1.1 msec. The main trigger is derived from the tokamak timing modules.

2.1.4. Internal alignment of ruby laser

Alignment of the oscillator is obtained the following way:

- 1) Tracking He-Ne beam. Direct the He-Ne beam along the center of the ruby rods. These rods are fixed to the laser bench and cannot be adjusted.
- 2) Q-switch. For alignment of the Q-switch a diffuser for the He-Ne beam and an extra polarizer is needed. The position of the polarizer on the bench is not adjustable, but it should be roughly centred on the He-Ne beam to transmit horizontally polarized light. The Pockels Cell should also be centred on the laser beam, and when placed between crossed polarizers with a slightly diffused beam, the cross-shaped pattern in the transmitted light should be symmetric about the central spot. (For information on the characteristics of Pockels cells see Adams, 1968)

- 3) Rear mirror (100%). The mirror must be carefully adjusted so that the front surface is perpendicular to the He-Ne beam.
- 4) Front mirror (35%). With an autocollimator the front surface of this mirror is carefully adjusted to be parallel to the back mirror surface. The Q-switch must be open during this adjustment. It should be possible to see through both the Q-switch and the ruby rod. If this is not so, the ruby rod can be moved out of the beam. Only the two mirror surfaces should be parallel in order to avoid lasing on other reflections.
- 5) Aperture. The aperture should now be centred about the He-Ne beam. The function of the aperture is to stop the outer and less intense part of the laser beam, thereby enabling a larger expansion of the beam into the laser amplifier to reduce the beam divergence.

After alignment of the oscillator the lasing should be tested. The output of the oscillator is presently approximately 250 mJ. The tracking of the He-Ne beam should also be checked, and eventually fine adjustments could be made.

The coupling of the amplifier to the oscillator is done through the beam expander. As the amplifier is fixed to the laser bench and the beam expander alone is adjustable, this adjustment must be made to direct the laser beam through the center of the amplifier rod. The expansion ratio is fixed by the choice of lenses, but a focusing effect in the ruby rods can be accounted for by a fine adjustment of the distance between the lenses. This distance should be adjusted so that the ruby beam out of the amplifier is parallel. The adjustment can be made either by measuring the beam width over a significant distance by firing the laser on burnpaper or by focusing the beam with a lens of known focal length. The latter method is preferred, for in the actual set-up this focus is imaged onto the scattering volume. The tracking He-Ne beam should coincide with the focus of the ruby laser.

2.2. Input optics

The ruby laser is placed just above the floor of the laboratory and underneath the tokamak shooting radially away from the vacuum chamber. The beam is bent 180 deg by reflection on two 45 deg incidence laser mirrors (9). Because of possible damage to the mirrors the laser pulse energy is presently reduced to approximately 1.2 J. At this power level no damage to the mirrors has been observed. At higher power levels, damage has been observed, but the reason for this unexpectedly low threshold is unknown. A reason might be that in the present set-up the mirrors are for s-polarized reflections, but they should be for p-polarization as the ruby laser is horizontally polarized.

Behind the first of the mirrors a fast light-detecting diode (18) is mounted to measure the transmitted laser light. The signal from this diode is used for synchronizing the data-acquisition system with the laser pulse and for measuring the laser pulse energy. A diagram of the monitor is given in Fig. 3. To get a reasonable signal level a transparent diffuser and some transmission filters are placed in front of the diode.

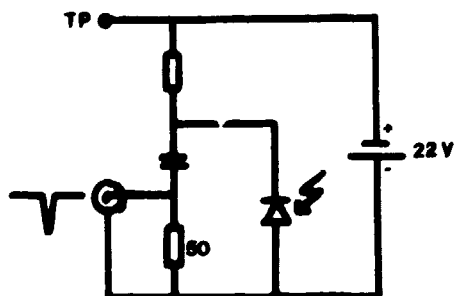


Figure 3. Diagram of laser energy monitor

A lens (10) of focal length 800 mm is placed just after the second mirror. This lens focuses the ruby beam to a spot approximately 1.2 mm in diameter. The focal point is imaged by a second lens (12) (focal length 400 mm) onto the scattering volume (15)

with an imaging ratio of 1.0. A third mirror (9) is placed underneath the tokamak to direct the beam vertically up through the vacuum chamber. The polarization of the vertical ruby beam is tangentially to the major radius of the vacuum chamber. The beam enters the chamber through a window (13) at the end of a tube. In order to reduce reflections in the window this is placed in the Brewster angle. On the other side of the scattering volume the beam is dumped in blue glass (16) at the end of another tube. Also the blue glass is placed in the Brewster angle. To be able to use the He-Ne laser (17) on top of the beam dump for alignment the blue glass can be turned out of the beam.

In the tubes to the window and beam dump, a few baffles are placed. These baffles prevent most of the stray ruby light scattered in the Brewster window from entering the main chamber. The main baffles (14) are the two at the ends closest to the scattering volume. These baffles are imaged by the second lens (12) on two apertures (11) between the two lenses, as indicated in Fig. 2. As the apertures are smaller than the corresponding images the ruby beam is "cleaned" by the apertures and does not touch the baffles. In this way the amount of stray light scattered from the baffles is reduced.

2.2.1. Alignment of input optics

Alignment of the ruby laser to the vacuum chamber through the input optics is obtained as indicated below.

1. Alignment of baffles and apertures. A broad beam of white light is shone down through the tokamak in the opposite direction of the ruby beam. The beam must be wide enough to illuminate the baffle system. The mirror under the tokamak and the second aperture is adjusted so that the apertures are centred in the bright images of the baffles, while at the same time the central part of the mirror is used. This usually requires room lights to be off.
2. He-Ne alignment beam through the tokamak. The He-Ne laser on top of the beam dump is adjusted so that the beam is centred on the apertures. This way the beam will also be centred on the baffle system.

3. Making the two He-Ne lasers colinear. The He-Ne laser on the ruby laser now tracks the ruby beam, and the other alignment laser on top of the vacuum chamber tracks what should be the path of the ruby beam through the vacuum chamber. When these He-Ne beams are colinear the two sub-systems are coupled correctly. The beams are colinear when they coincide at two separate points. These points are usually defined by two pinholes placed in the centers of the aperture (5) of the laser oscillator and of the aperture (11) closest to the third 90 deg reflection mirror. At this point in the alignment procedure the He-Ne lasers should pass one pinhole each. In a dark room it is now possible to see the bright spots from the "opposite" laser in the surroundings of the pinholes. By adjusting the two mirrors in the 180 deg bend, the spots should be made to coincide with the pinholes. Note that at the same time the beams must also be centred on the mirrors. After removing the two pinholes the ruby laser and input system are now ready for operation.

Note

Remember to position the blue glass in the beam dump before firing the ruby laser.

3. LIGHT COLLECTING OPTICS AND SPECTROMETER

The Thomson scattered light together with some plasma light and stray ruby light are collected by the collecting optics which images the scattering volume on the input slit of the spectrometer. The spectrometer disperses the light in order to make measurements of the spectrum of the scattered light. A layout of the system is given in Fig. 4. The numbering of items in this section refers to this figure.

In subsection 1 the collecting optics is described and subsection 2 deals with the spectrometer.

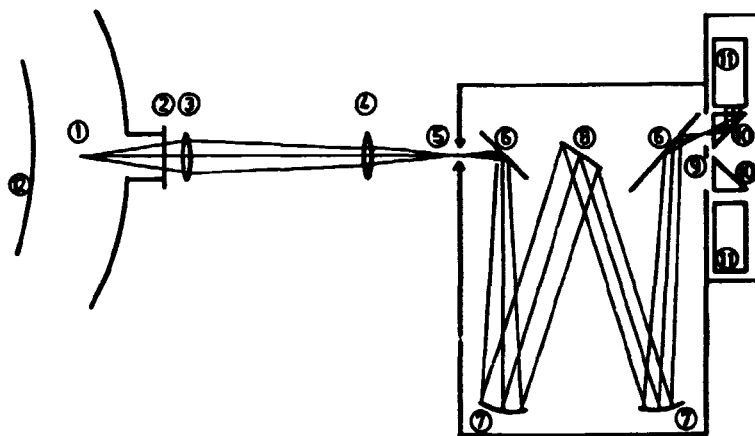


Figure 4. Collecting optics and spectrometer.

Collecting optics: 1: Scattering volume 2: Vacuum window
3: Lens 1, $f=200$ mm 4: Lens 2, $f=320$ mm 12: Viewing dump
Spectrometer: 5: Input slit 6: Plane mirror 7: Spherical
mirror, $f=590$ mm 8: Grating 9: Mask 10: Right-angle
prism 11: Photomultiplier.

3.1. Light collecting optics

There are only two components in the light collecting optics. These are two lenses: (3) $f=200$ mm, $\text{dia}=50$ mm and (4) $f=320$ mm, $\text{dia}=50$ mm. The first is placed just outside the window (2) of the vacuum chamber, and this lens defines the solid angle of light collection. The distance to the scattering volume is nominally 243 mm and this gives a solid angle of 33.3 mrad. This lens forms an image of the scattering volume 1130 mm from the lens. The second lens images this image on the input slit (5) of the spectrometer. The distance between lenses is 534 mm and between the second lens and the slit, 208 mm. The imaging ratio from the scattering volume to the image on the slit is 1.62. Apart from taking part in imaging the scattering volume on the

slit, the second lens (4) also images the first lens on the first spherical mirror (7) of the spectrometer (see below). This ensures that all light collected by the first lens is measured by the detection system.

In order to reduce the amount of stray light scattered from the innermost wall of the vacuum chamber, this is covered by a viewing dump (12) reflecting only approximately 2% of the light. The viewing dump is a matrix of small steel tubes mounted on a black base plate. A similar dump is placed at the top of the chamber around the tube leading to the beam dump.

3.1.1. Alignment of collecting optics

For alignment of the collecting optics a small steel "mirror" is introduced in the ruby beam path at the scattering volume. The He-Ne beam from the laser on top of the vacuum chamber is shone onto the mirror (He-Ne beam must be aligned with ruby beam). The two lenses are adjusted to give an image of the mirror on the slit and an image of the first lens on the first spherical mirror of the spectrometer. When imaging on the slit only the horizontal position of the image is crucial. The vertical position defines the location of the scattering volume along the ruby beam.

3.2. Spectrometer

The spectrometer is built around a plane holographic grating (8) with 1800 lines/mm. Two spherical mirrors (7) with focal length 590 mm take care of the focusing. Two plane mirrors (6) are placed between the input/output slits and the spherical mirrors to bend the beam path. The input slit (5) has width 4 mm and height 10 mm.

The input slit is placed in the focal plane of the first spherical mirror (7) and therefore the reflected light forms a beam of parallel light which falls on the grating. Light of different wavelengths is reflected by the grating as beams of parallel

light in different directions. The second spherical mirror (7) focuses the part of the spectrum of interest on the output slit. Just behind the input slit a red transmission filter (KODAK No. 26) is placed. This filter transmits light only with wavelengths longer than 600 nm. This way the overlay of first- and second-order spectra is prevented.

For wavelength selection on the output side the grating can be rotated around a vertical axis through a spindle system. When set for normal operation the spindle setting is $S = 3.00$ on the exterior dial. In this position the linear dispersion is measured to be 0.586 nm/mm across the output slit.

Actually the output slit is not a narrow slit but merely a wide hole in the spectrometer box. This is made in this way in order to be able to insert a mask (9) for selecting the two wavelength regions of measurement at the focal plane. In the photomultiplier box, mounted close to the output hole and behind the mask two right-angled prisms (10) are placed to direct the light coming through the mask onto the cathodes of the photomultipliers (11). In the subsequent calibrating measurements, positions on the output side are determined with a transparent ruler with $x=0. \text{ mm}$ at the left edge (closest to the spherical mirror) and $x=130. \text{ mm}$ at the right side of the hole.

3.2.1. Spectral calibration

The wavelength calibration of the spectrometer is obtained by visually observing spectral lines on the output side (photomultiplier box and mask not mounted).

In an optical set-up equivalent to the input optics a spectral lamp is placed in the equivalent position of the scattering volume. To obtain good accuracy in reading the position of the line on the output side the input slit is masked to a width of approx. 0.5 mm .

Note

Spectral lamps require several minutes warm-up before the lines are stable.

Now two separate calibrations are made. In the first the grating is rotated to position the lines at a fixed point across the output hole ($x = 75.0 \text{ mm}$). The wavelengths of the lines are given in Fig. 5 as a function of the dial reading.

The second calibration is a measurement of the linear dispersion of the spectrometer. With a fixed grating the positions of the spectral lines on the output side are measured, and the dispersion can be calculated. Figure 6 shows the measured linear dispersion as a function of the dial reading.

For the measurements of Figs. 5 and 6, lines from HeI, NeI, and CsI bulbs have been used.

On this basis the mask for the output side may be designed and installed. After installation we want a measurement of the actual wavelength regions passed by the mask. For this purpose the spectral lamp is removed and replaced by a calibrated spectrometer, where the output slit is in the position of the scattering volume. The input slit of the second spectrometer is illuminated by a tungsten lamp. By varying the wavelength setting of the second spectrometer and measuring the signals from the photomultipliers the exact wavelength bands can be determined.

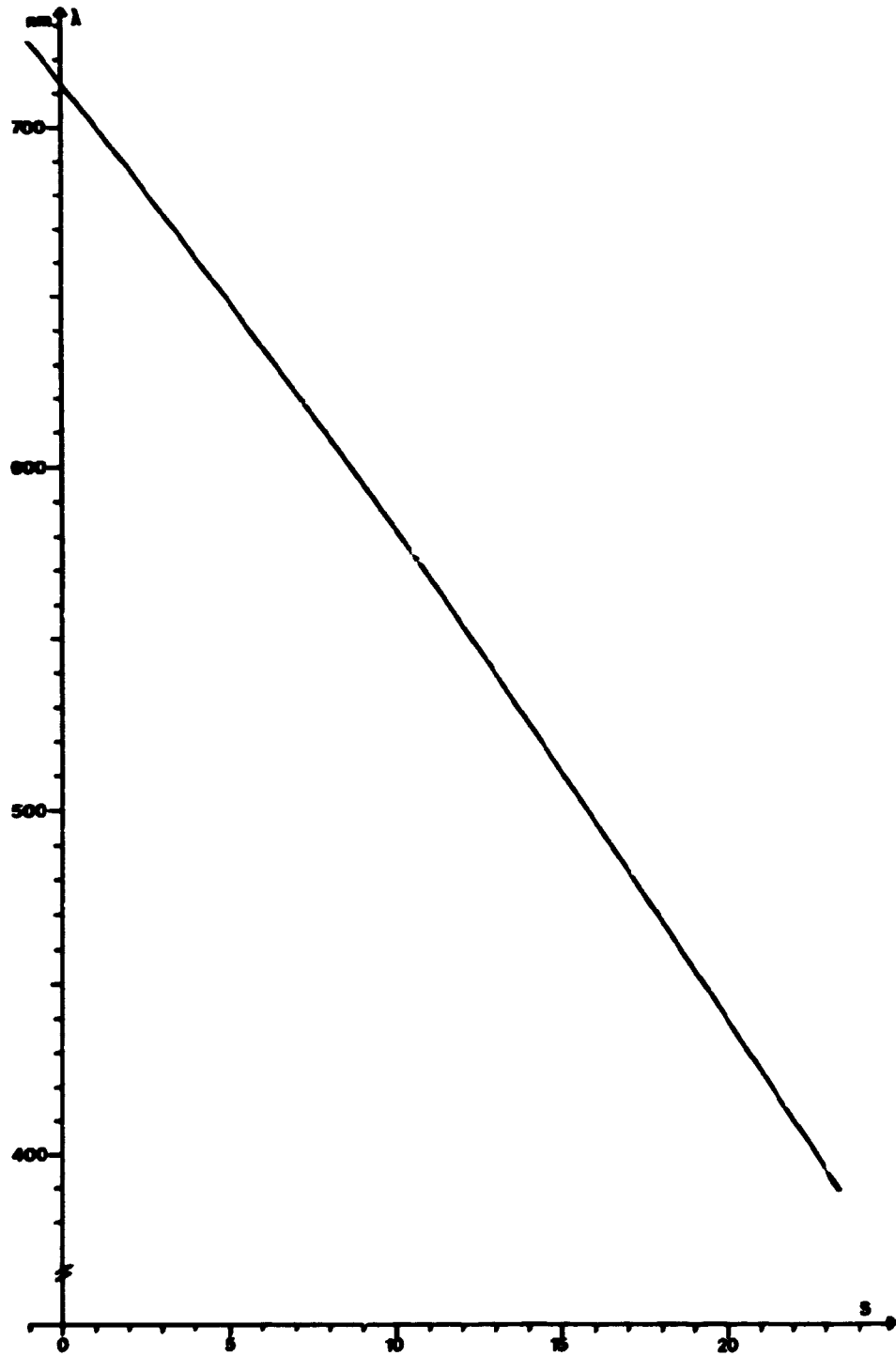


Figure 5. Spectrometer calibration, wavelength.
Wavelength at fixed output slit position ($x = 75.0$ mm)
as a function of dial reading.

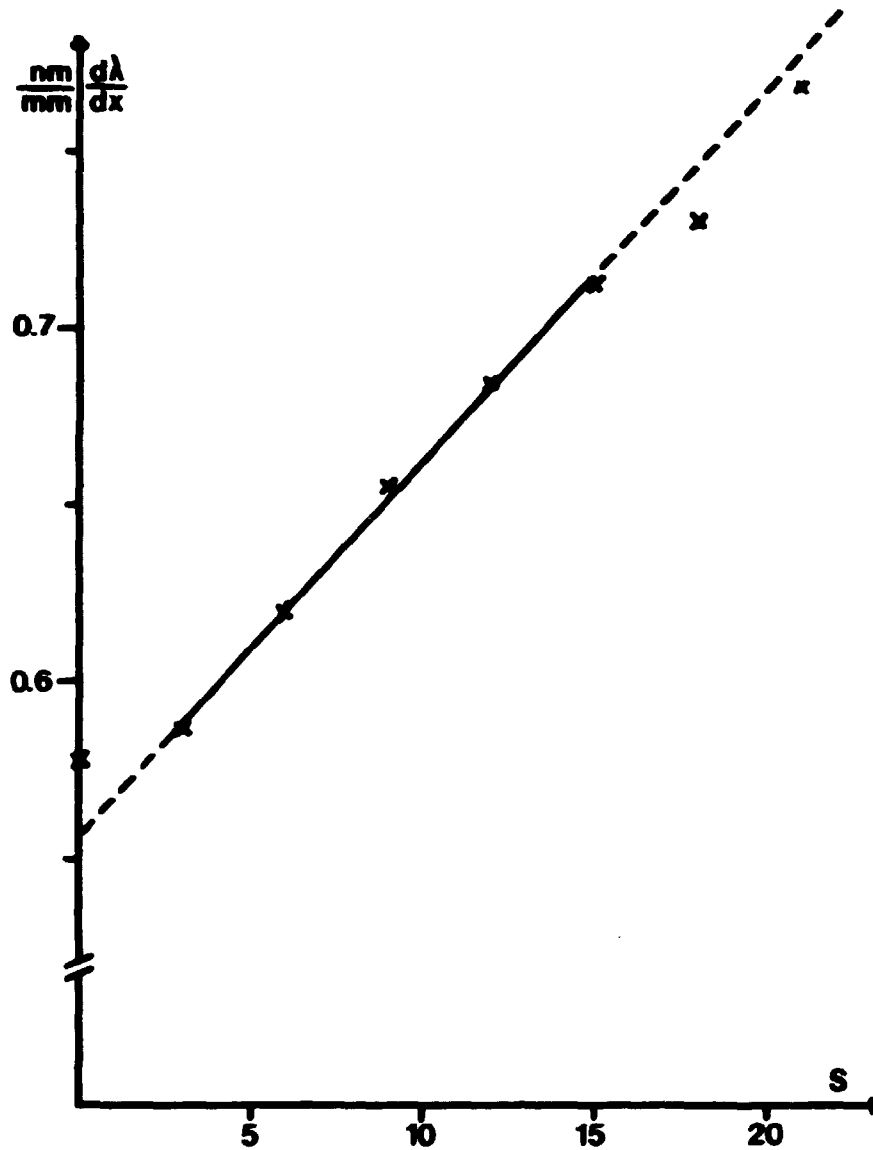


Figure 6. Spectrometer calibration, linear dispersion. Linear dispersion across output slit for fixed grating as a function of dial reading.

4. DATA ACQUISITION SYSTEM

This section describes how signals from the photomultipliers are converted to numbers in the computer.

The first subsection gives a description of the photomultipliers, and subsection 2 contains information on the electronics modules mainly in the CAMAC crate.

4.1. Photomultipliers

The photomultipliers are RCA 8852 (S-20 extended red) with a typical quantum efficiency of 5% in the wavelength region of interest. The photomultipliers are mounted in a separate box which is usually attached to the spectrometer.

Note

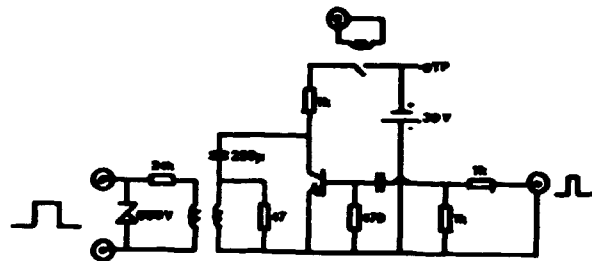
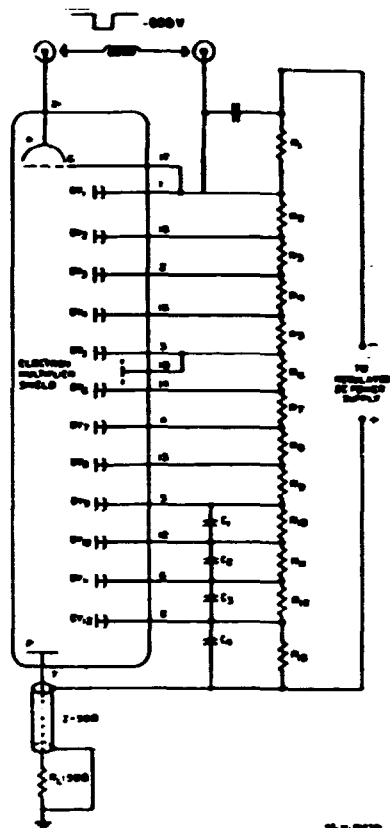
Care must be taken when mounting the photomultiplier box on the spectrometer to make the connection completely light-tight.

To reduce the influence of the magnetic field from the tokamak the photomultipliers are placed in envelopes of mumetal.

The photomultipliers are energized from a common high voltage power supply usually running at -1900 volts. An interlock ensures that the high voltage can only be on when the spectrometer is closed. The electronics diagram for the tubes is given in Fig. 7. The circuit is similar to the recommended circuit for fast pulse response except around the cathode. In order to reduce the gain of the photomultipliers when not measuring, the potential of the cathode is equal to the dynode 1 potential. Through a transformer arrangement the cathode is lifted -600 volts from dynode 1 during measurements. The measurement period is limited by the transformer to approximately 800 microseconds.

Warning

When opening the transformer box remember that the secondary side is floating at -1300 volts if not disconnected.



Fast Pulse Response Apparatus, to 7500 V (Typical circuit values)

- C₁ 0.005 μf, 20%, Ceramic Disc, 500 V dc
- C₂ 0.01 μf, 20%, Ceramic Disc, 500 V dc
- C₃ 0.02 μf, 20%, Ceramic Disc, 500 V dc
- C₄ 0.05 μf, 20%, Ceramic Disc, 500 V dc
- R₁ 8 MΩ, 16 1/2 W, 5%, 1/2 W
- R₂ 1 MΩ, 5%, 1/2 W
- R₃ 1.3 MΩ, 5%, 1/2 W
- R₄ merge R_{1,2} 1 MΩ, 5%, 1/2 W

Figure 7. Photomultiplier and gating circuits.

A: Photomultiplier high voltage chain. B: Circuit to produce gate pulses for photomultiplier.

The gating of the photomultipliers is presently derived from the Pockels Cell unit of the ruby laser. To give time for stabilizing the photomultipliers the Pockels cell unit is modified to give a trigger signal 85 microsec before the first laser pulse. This trigger then opens the gate for the photomultipliers so that they are ready when the light pulse arrives.

The primary side of the transformer is energized by a 30-volt battery. To extend the lifetime of the battery the unit is switched by a relay from the high-voltage unit. On the front panel there is also a test point for the 30 volts. A diagram is shown in Fig. 7.

4.2. Electronics

The anode signal from the photomultipliers is led directly to a gated integrating ADC (LeCroy 2250L) in the CAMAC crate. In the ADC the pulses are integrated and stored in a local memory for readout to the computer at a later time. The ADC has 12 parallel input channels (all channels measured for each gate), and the memory can store data for up to 32 gate pulses. The gate pulse for the ADC is derived from the laser monitor at the front end of the ruby laser.

The signal from the laser monitor is fed into the Gate Pulse Trigger module (Riso P1358) in the CAMAC crate. In a resistive network the monitor signal is split into an energy monitor signal for the ADC and a signal for timing the gate pulse for the ADC. The latter is sent to the Constant Fraction Discriminator (Ortec 463) which in turn delivers a negative trigger pulse to the Gate Pulse Trigger module. The discriminator level of the Constant Fraction Discriminator can usually be set at approximately 100 mV. The trigger pulse is inverted in the Gate Pulse Trigger module and sent to the Gate Pulse Generator (Culham 95/8293-1/6), which for each trigger delivers two gate pulses for the ADC. The timing of the first gate pulse must be adjusted on the Gate Pulse Generator so that the photomultiplier signals fall within the gate period. The second gate pulse should appear some micro-sec after the first pulse. The two gate pulses should have the same length and be as short as possible but longer than the signal length. See the manual for a further description of the Gate Pulse Generator. Note that all signal cables are terminated in 50 ohms.

plasma light some microseconds afterwards. The laser energy monitor signal from the Gate Pulse Trigger module must be delayed in a delay cable to reach the ADC at the same time as the signals from the photomultipliers.

Figure 8 gives a layout of the electrical connections of the diagnostic.

5. CALIBRATION OF DATA ACQUISITION SYSTEM

The calibration of the data acquisition system includes a measurement of the amplification of the photomultipliers. This automatically gives the amount of electrical charge per detected photon. Then, of course, the ADC conversion must be calibrated to give the relation between reading and input charge for each channel.

Next we make an absolute calibration of the detection system. By using the sensitivity of the photomultipliers as found above, this readily gives the product of the transmission of the optical system and the photomultiplier quantum efficiency. For plasma temperature measurements only the ratio between the transmission of the two channels enters the calculations, but for density measurements the absolute values are essential.

The measurement of Thomson scattered light includes some stray ruby light. To obtain the true amount Thomson scattered light the stray light level must be subtracted. This is the reason for a stray light calibration.

Finally, we need to calibrate the ruby laser energy monitor. This is used only for calculating the plasma density and for monitoring laser performance. The plasma temperature is calculated from the ratio of the number of scattered photons in the two wavelength regions.

Subsection 1 describes the calibration of the ADC module, and the following subsection shows how to calibrate the photomultipliers. The measurement of the optical transmission and the absolute calibration is given in subsection 3. Subsection 4 deals with the energy monitor calibration and finally, subsection 5 describes the stray light calibration.

5.1. Calibration of integrating ADC (LeCroy 2250L)

The calibration of the integrating ADC is a measurement of the pedestral and conversion factor for each channel of the module.

The module can be calibrated in two ways: The first uses the procedure employing the inhibit signal and self-generated gate pulse as described in the manual for the module. The reader is referred to the LeCroy manual for further description. A computer program (THOM4.POR) which uses this method is available.

The second procedure which has become possible after the delivery of the Gate Pulse Trigger module is equivalent to the first, except that the gate pulse is started softwarewise in the Gate Pulse Generator and subsequently the ADC in the usual way. This way we can avoid using the CAMAC inhibit signal. An advantage of this method is that the gate pulses are generated in the same way as when measurements are made. This procedure has not been employed yet, and no computer program is presently available, though the THOM4.POR program will require only slight changes to function with this method. Note that now two gate pulses are generated for each CAMAC command.

5.2. Measurement of photomultiplier amplification

The measurement of photomultiplier amplification is done by observing the signals from single photons on an oscilloscope. The light level on the cathode is kept so low that single photon events can easily be distinguished. By measuring the pulse height and width the detected charge can be calculated. The amplification is then found by dividing by the electron charge.

With high voltage on 1900 volts the sensitivity has been measured to 0.63 and 0.47 pC per photoelectron for channels 1 and 2, respectively (Amplification: 3.9E6 and 2.9E6). The amplification increases drastically with the high-voltage level (like $V^{**9.8}$ from 1200 to 2200 volts), but as the sensitivity of the ADC is nominally 0.5 pC per count 1900 volts is a reasonable voltage level.

A large sample of data is necessary for this calibration as the spread in pulse height is relatively large. Remember to terminate the signals in 50 ohms on the oscilloscope - You don't want to repeat the measurements! The above results were obtained from 200 events each.

5.3. Absolute calibration of sensitivity

Measurements of the transmission of the optical system including photomultiplier quantum efficiency are made by shining white light from a calibrated tungsten lamp onto a white, uniformly diffusing reflector inserted in the optical set-up.

A plate covered with fresh magnesium oxide is a standard reflector for uniform scattering over a half sphere. (The reflector is made by depositing smoke from burning magnesium on the plate). Such a reflector is placed just after the first lens of the collecting optics ((3) on Fig. 4) and facing the spectrometer. (A test has shown that other reflectors not so vulnerable as magnesium oxide might be used, e.g. the inside surface of a Polaroid film packing). For illuminating the reflector a calibrated tungsten lamp radiating at approximately 2900 K is used.

Note

Tungsten lamps require approximately 15 minutes to stabilize the radiation level.

The signals from the photomultipliers are observed on an oscilloscope, and by varying the distance from the lamp to the reflector and the temperature of the lamp a reasonable signal level is found. Unfortunately, the signals are rather noisy, so a direct reading by the ADC is not convenient. Instead, we make use of a fast RC-filter and take the readings from the oscilloscope. By applying the above calibration factors for charge per photoelectron the intensity of detected photoelectrons (photoelectrons/sec) can be calculated. Intensities of $5.7E8$ and $2.0E9$ photoelectrons/sec for channel 1 and 2, respectively, have been used at 1900 volts without observing saturation effects.

The number of reflected photons per srad at any wavelength can be calculated from the Planck formula, from the knowledge of the areas of the tungsten band and the reflector and the distance between them. Here the area of the reflector is set equal to the area of the first lens. By numerical integration the number of reflected photons for each channel can be found. Data corresponding to the above intensities gave $2.7E14$ and $7.8E14$ photons/sec/srad, respectively. The solid angle mentioned here is a measure of the cone of detected light from the reflector. As we want to calculate from the scattering volume, we multiply these figures by the ratio between the areas of the scattering volume (actually the image of the slit) and the reflector. Dividing by the photoelectron intensities we find that each detected photoelectron corresponds to 3700 and 3000 photon/srad emitted by a source at the scattering volume for channel 1 and 2, respectively. Taking into account the solid angle, the efficiency of the detection system is found to be of the order of 1%.

This calibration procedure contains two systematic errors. The most important error is the neglect of the transmission of the vacuum window and the first lens. Taking the transmission to be flat over the wavelengths of interest, this does not influence the temperature measurements, but leads to a misjudgement of the plasma density of roughly -10%. The second error comes from the fact that the first lens of the collecting optics is the aperture limit when viewing the scattering volume. This limit is not included in the calibration, and when putting the area of the

reflector equal to the area of the first lens an error is made. Fortunately, the new aperture limit is set by the grating, where under normal circumstances the image of the first lens covers 97% of the surface. The error introduced this way is therefore hardly noteworthy.

5.4. Laser energy monitor calibration

The calibration of the laser energy monitor ((18) on Fig. 2) is done simply by correlating the computer readout with readings of an already calibrated laser energy meter. Usually energy meters of the volume-absorbing type is used. When inserting the meter head in the beam path care must be taken, that the beam is fairly distributed on the surface (i.e. avoid a focus).

The energy monitor reading is usually correlated with the beam energy after the first lens in the input optics. This means that losses between this position and the scattering volume are not measured. What is interesting from a diagnostic point of view is the laser energy at the scattering volume, but this is not easily measured.

5.5. Stray light calibration

Measurements of the level of stray ruby light can be made between the usual plasma temperature and density measurements. The data analysis routine tests for plasma on the data-set, and if there is no plasma the Thomson scattering data are considered a measurement of stray light. The level of stray light is considered proportional to the ruby laser pulse energy, and stray light data are normalized to a laser energy of 1 joule. So, to make a stray light calibration fire the Thomson scattering diagnostic in the usual way but without plasma. The data handling routines (Section 6.2.2) will take care of the rest.

6. DATA ANALYSIS AND COMPUTER PROGRAMS

This section describes how the temperature and density of the plasma is calculated from the measured signals, and it gives a description of the available supporting routines on the computer. Computer programs and subroutines are listed in the appendices.

6.1. Basics of data analysis

For a low-temperature plasma the spectrum of scattered light is Gaussian around the laser wavelength and with a full-width-at-half-maximum of $3.23 \cdot \sqrt{T}$ nm (T in eV). For a detailed treatment of the scattering the reader is referred to Sheffield, 1975. The plasma temperature is found from the width of the spectrum, and the density from the amplitude.

In this diagnostic the Gaussian spectrum is determined from the ratio of the signals integrated over two significant parts (channel 1 and 2) of the blue flange. The channels have been placed on the blue side of the laser line because photomultiplier quantum efficiency increases when going to shorter wavelengths. The channels should avoid measuring line radiation from the plasma and laser, so therefore they have been placed between the laser line (694.3 nm) and the Lyman-alpha line for hydrogen (656 nm).

The actual position of the channels has been chosen so that equal signals are expected at a temperature of 100 eV. When calculating the expected signals a typical variation of the quantum efficiency with wavelength has been taken into account. This resulted in a mask for the spectrometer for which the actual channels have been measured to be:

<u>Channel</u>	<u>Lower limit</u>	<u>Upper limit</u>
1	684.6 nm	692.3 nm
2	658.3 nm	682.6 nm

If the expected temperature is no longer 100 eV, a change of the channels might be useful, as the accuracy of the measurement is best when the two signals are about equal.

In a measurement the actual number of scattered photons in the two wavelength regions are calculated from the ADC data. The ratio of the number of scattered photons is then compared with a theoretically calculated table giving this ratio as a function of temperature. Figure 9 displays the variation of this ratio of scattered light with plasma temperature. The temperature is found by interpolation in the table. The table also contains the theoretical number of scattered photons at a laser pulse energy of 1 J and a plasma density of $1.E17 \text{ m}^{-3}$. By normalizing the actual number of photons by the actual laser energy and relating this number to the theoretical number the density can be found.

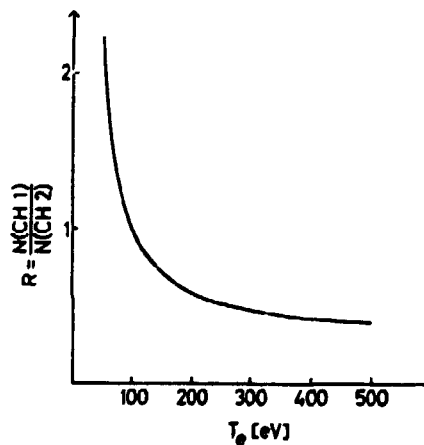


Figure 9. Ratio of scattered light in channels 1 and 2 as a function of plasma temperature.

6.2. Computer programs

A set of computer programs and subroutines are available for data acquisition and reduction and for control of CAMAC equipment.

6.2.1. Data acquisition

Data acquisition is done through the MASTER program, and all raw data are stored shot by shot on data files together with all other data.

In the MASTER program Thomson scattering raw data are stored in the array INTEGER ILAS(6,4) allowing for 6 data channels to be read 4 times per plasma pulse. Presently only 3 of the 6 data channels are in use (laser energy, spectrometer channels 1 and 2). In the second (time) dimension the array contains data for first laser pulse, background for first pulse, second laser pulse and background for second pulse (the last two only if double pulsed).

6.2.1.1. Subroutine ADC12. The subroutine ADC12 is linked to the MASTER program, and it is called twice for each plasma shot. In the first call the subroutine clears and arms the ADC module just before the plasma shot. In the second call data is read out from the module and stored in the array ILAS. A log of the raw data is printed on the terminal. The position of the ADC in the CAMAC crate is taken to be station No. 4 in the subroutine.

6.2.2. Data reduction

In the menu of the MASTER program there is an option to select Thomson scattering. This results in a call of the THOMWR subroutine controlling the calculation of plasma temperature and density. This subroutine also handles the printout of results on the terminal and optionally on the lineprinter. The THOMWR subroutine calls one of the subroutines THOMSO and THOMST. In THOMSO the actual calculations of results (temperature, density etc.)

are done while THOMST handles information on stray light measurements.

6.2.2.1. Subroutine THOMWR. This subroutine first asks for changes in the output options. The options include a choice of one out of three output formats, optional output on lineprinter and whether changes to the stray light calibration are allowed or not. The selected options are coded into the byte variable THOM.

Then THOMWR proceeds to test whether the present data set includes a plasma current. If so data are handled as for normal temperature and density measurements, but if there is no current these data are a measure of stray light. The time of the laser pulse relative to start of plasma current is then found by searching the plasma current trace for the monitor pulse from the Constant Fraction Discriminator.

Finally THOMWR calls THOMSO or THOMST depending on the plasma current and prints out the results. An example of output from THOMWR is given in Fig. 10.

Shot = 121911.81

Electron temperature [eV]: 172. STD.DEV.INTV: 141. 226

Electron density [$1.E19 \text{ m}^{-3}$]: 1.10 +/- 0.08

Time of measurement [msec]: 28.4

Laser pulse energy [J]: 1.49 +/- 0.10

Signal-to-noise ratios: 8.4 10.0

Ratio of scattering signals: 0.649 +/- 0.101

Number of scattered photons

(per unit solid angle, per joule incident energy)

channel 1: 3.12E + 05 +/- 3.74E + 04

channel 2: 4.81E + 05 +/- 4.83E + 04

Number of plasma photons (per unit solid angle)

channel 1: 6.56E + 04 +/- 1.55E + 04

channel 2: 1.40E + 05 +/- 2.05E + 04

Raw data:

Laser monitor: 177 6

Channel 1 : 194 24

Channel 2 : 281 46

Figure 10. Output from subroutine THOMWR for plasma shot no 121911.81

6.2.2.2. Subroutine THOMSO. The subroutine THOMSO first reads the data from the data file THOMSO.DAT. This file contains all calibration factors, tables, etc. for the calculation of temperature and density. Then the laser pulse energy is calculated by taking the difference between data from during the pulse and after the pulse and then multiply by the calibration factor.

The number of detected photoelectrons is calculated in a similar way. The standard deviation is estimated as the square root of the sum of the data from during and after the laser pulse corrected by the calibration factors. (The number of detected photoelectrons are distributed according to Poissons distribution

Through normalizing the number of photoelectrons by the laser energy and using the calibration factor for optical transmission of the collecting system, and finally subtracting the stray light contribution, the number of scattered photons for each channel from the scattering volume is found). The standard deviation on these numbers are found using the deviation on photoelectrons, on laser energy and on stray light.

The amount of light from the plasma is calculated similarly to the scattered light using the data following the laser pulse. These numbers do not enter the temperature and density calculations and are for information only.

The ratio of scattered light is calculated together with the absolute lower and upper limit of the standard deviation interval. By comparing this ratio with the precalculated ratio table the temperature and standard deviation interval is found. The density is found by comparing the sum of the scattered photons with the equivalent values for the estimated temperature in the table. The values in the table correspond to a density of $1.E17 \text{ m}^{*-3}$.

6.2.2.3. Subroutine THOMST. This subroutine keeps a log of the last 50 stray light measurements and updates the stray light data in the data file THOMSO.DAT.

The last 50 stray light measurements are kept on a file THOMST.DAT. First THOMST recalculates the mean stray light level from these data and prints the information on the terminal. The stray light level of the present measurement, corrected for laser energy, is calculated and printed for comparison. The new calibration data based on the last 49 recorded data sets and the present shot is also displayed on the terminal. Finally a question giving the option of including the data from the present measurement in the calibration is presented.

If an update of the stray light calibration is made the new calibration data are written to the data file THOMSO.DAT and the pre-

sent dataset is included in the log of stray light measurements. This log (when filled with 50 measurements) is maintained on a first-in first-out basis.

6.2.2.4. Data file THOMSO.DAT. This file contains all calibration data, parameter settings, etc. for the diagnostic. The program THOM3.FOR gives a listing of all the data in the file as shown in the table below.

To create a new data file from scratch it is convenient to use the program THOM1.FOR. Single value editing of the data file is easily done by editing and running the program THOM2.FOR.

Output from THOM3	COMMENTS
CH, PED, GAIN: 0 5.209156 0.4694981	Calibration
	data for
CH, PED, GAIN: 11 5.451578 0.4557599	LeCroy ADC
PEDTIM: 80.00000	Gate length for pedestral calib.
EPAK : 8.7000001E-03	Energy monitor calib.
EPHEL1: 0.6290000	Charge/photon CH1
EPHEL2: 0.4660000	Charge/photon CH2
TRANS1: 3660.000	Transmission CH1
TRANS2: 3000.000	Transmission CH2
VOL : 8.3200000E-02	Not used
TFAK1 : 13.23740	Not used
TFAK2 : 1.134600	Not used
CH1U : 692.3000	Upper limit CH1
CH1L : 684.6000	Lower limit CH1
CH2U : 682.6000	Upper limit CH2
CH2L : 658.3000	Lower limit CH2
HVOL : 1900.000	PMT high voltage
NTAB : 50	Length of temperature table
STR1 : 0.0000000	Stray light CH1
STR2 : 0.0000000	Stray light CH2

Continued

Output from THOM3	COMMENTS			
DSTR1 : 0.0000000	Stand.dev on STR1			
DSTR2 : 0.0000000	Stand.dev on STR2			
DEFAK : 6.4999998E-02	Stand.dev on EFAK			
TEMP,R,N1,N2 : 10.00000	91.25423	5384	59	Table of
TEMP,R,N1,N2 : 20.00000	11.18053	5512	493	scattering
				data as
TEMP,R,N1,N2 : 489.0000	0.3957292	1742	4402	function of
TEMP,R,N1,N2 : 500.0000	0.3932969	1725	4386	temperature

6.2.3. Calibration of LeCroy 2250L ADC

The gain and pedestal of the charge integrating ADC is presently measured using the internal test function (CAMAC F25) of the module. For this purpose a DC voltage must be applied to the front panel test input. The test voltage should be varied in the range 0-20 V to allow for full-scale readings of the channels. In order to be able to go through the calibration procedure a CAMAC Inhibit function must also be available. The flow of operations for the calibration procedure is described in the program THOM4.FOR which should be self-explaining. For further information on the module and its calibration the reader is referred to the manual. The position of the ADC in the CAMAC crate is taken to be station No. 4 in this program.

The basics of the procedure are measurements of signal levels at different test voltage levels. The data for each channel are then approximated by a least-square fit to a line, giving the gain and pedestal. To improve statistics in the line fit several measurements are automatically made at each test voltage level.

The new calibration data are optionally written on the data file THOMSO.DAT.

The above calibration procedure was made before the Gate Pulse Trigger module was available to the system. Now a new procedure employing the ability to generate an external gate pulse via a CAMAC command would be desirable (see Section 5.1).

6.2.4. Calculation of expected data for table

The program THOMO.FOR calculates the number of scattered photons in two wavelength regions (channel 1 and 2) for Thomson scattering in a plasma with density $1.E17 \text{ m}^{-3}$ and for a ruby laser pulse of 1 joule.

The calculations are presently done in the temperature range 10-500 eV with stepsize 10 eV. Apart from calculating the number of scattered photons at each temperature, the ratio of these two numbers is also calculated. The results are optionally written to the file THOMSO.DAT, from where they are later used in the temperature and density estimate.

A low temperature, Gaussian approximation to the spectral density function (Sheffield, 1975) is used in this program.

REFERENCES

- ADAMS, W.E. (1968). Pockels Cells: Theory, Test Procedures, Characteristics, UCRL-50463.
- GADEBERG, M. (1983). Thomsonspreddning på høj- og lavtemperatur plasma, Risø-M-2378, 96 pp.
- KØCHNER, W. (1976). Solid-State Laser Engineering. Springer-Verlag, New York.
- SHEFFIELD, J. (1975). Plasma Scattering of Electromagnetic Radiation, Academic Press, New York.

APPENDIX A

Subroutine THOMWR

This appendix contains a listing of the THOMWR subroutine. This subroutine is linked to the MASTER program, and it is called when Thomson scattering results are to be calculated. The subroutines THOMSO and THOMST are called from this subroutine.

In the call of THOMWR, IFIL1 and IFIL2 are the input and output unit numbers, THOM is the output option code, and NAVN is the name of the present plasma shot.

V02.5-2 Wed 22-Jun-83 10:22:06

```
SUBROUTINE THOMWR(IFIL1,IFIL2,THOM,NAVN)
REAL VFS(8),SWA(8),SWB(8),NUL(8)
INTEGER IS(8)
BYTE NAVNUD(10,8),RD(1024,8),C8,C9,C10,TSTRL
INTEGER ILAS(6,4)
REAL RAT(3),T(3)
BYTE TEST,THOM,NAVN(10)
COMMON NAVNUD,VFS,SWA,SWB,NUL,IS,RD,ILAS,NTRAC
COMMON/WAR/ T,DENSI,DDENSI,TID1,TID2,TID3,E,DE,PHEL1,DPHEL1,
* PHEL2,DPHEL2,RAT,DRAT,SCAT1,DSCAT1,SCAT2,DSCAT2,PLAS1,DPLAS1,
* PLAS2,DPLAS2,K,II,IOPTIO
DATA C8,C9,C10/'C','U','R'/
ITIME=0
```

***** SELECT OUTPUT OPTION *****

```
WRITE(7,290)
READ(IFIL1,300) TEST
WRITE(IFIL2,300) TEST
IF(TEST.NE.'Y') GOTO 20
WRITE(7,310)
READ(IFIL1,320) I
WRITE(IFIL2,320) I
IF(I.LT.1.OR.I.GT.3) GOTO 10
WRITE(7,330)
READ(IFIL1,300) TEST
WRITE(IFIL2,300) TEST
IF(TEST.EQ.'Y') I=I+10
THOM=I
WRITE(7,350)
READ(IFIL1,300) TEST
WRITE(IFIL2,300) TEST
IF(TEST.EQ.'Y') THOM=THOM+100
```



```
20  K=7
    I=THOM
    I=MOD(I,10)
    IOPTIO=THOM/10
C
C
C ***** TEST FOR PLASMA CURRENT ON SHOT *****
C
    X=0.
    TSTR=1
    IC=0
    DO 30 II=1,NTRAC
30  IF(C8.EQ.NAVNUD(1,II).AND.C9.EQ.NAVNUD(2,II).AND.C10.EQ.
    *   NAVNUD(3,II)) IC=II
    IF(IC.EQ.0) GOTO 50
    DO 40 II=1,1024
40  X=X+RD(II,IC)+128-NUL(IC)
    IF(ABS(X).GT.5000.) TSTR=0
C
C
C ***** PERFORM CALCULATIONS *****
C
50  DO 160 II=1,3,2
    IF(ILAS(1,II).LT.20) GOTO 170
    IF(II.EQ.3.AND.TSTR.EQ.0.AND.IOPTIO.NE.1) PAUSE
C
C ***** CALCULATE TIME OF LASER PULSE *****
C
    DO 60 I=ITIME,1023
    IF(RD(I,IC).EQ.127) GOTO 70
60  CONTINUE
    TYPE 90
    GOTO 100
70  ISS=IS(IC)
    IF(IC.GE.7) ISS=1024-IS(IC)*100
    TID3=(I-ISS)*SWA(IC)
    DO 80 ITIME=I,1023
    IF(RD(ITIME,IC).LT.127) GOTO 100
80  CONTINUE
    TYPE 90
90  FORMAT(' ** ERROR IN CALCULATION OF TIME OF LASER PULSE **')
100 IF(TSTR.GT.0) GOTO 130
    CALL THOMSO(ILAS,IFIL1,IFIL2,THOM,NAVN)
110 WRITE(K,200) T(1),T(2),T(3)
    WRITE(K,210) DENS1,DDENS1
    WRITE(K,220) TID3
    WRITE(K,230) E,DE
    IF(I.EQ.1) GOTO 140
C
    WRITE(K,190) TID1,TID2
    WRITE(K,250) SCAT1/DSCAT1,SCAT2/DSCAT2
    WRITE(K,260) RAT(1),DRAT
    WRITE(K,270) SCAT1,DSCAT1,SCAT2,DSCAT2
    WRITE(K,280) PLAS1,DPLAS1,PLAS2,DPLAS2
```

```
120  IF(I.LE.2) GOTO 140
      WRITE(K,*) ' '
      WRITE(K,*) 'RAW DATA:'
      WRITE(K,*) 'LASERMONITOR :', ILAS(1, II), ILAS(1, II+1)
      WRITE(K,*) 'CHANNEL 1   :', ILAS(2, II), ILAS(2, II+1)
      WRITE(K,*) 'CHANNEL 2   :', ILAS(4, II), ILAS(4, II+1)
C     WRITE(K,*) 'GATE WIDTH   :', ILAS(5, II), ILAS(5, II+1)
C     WRITE(K,*) 'TIME OF SHOT :', ILAS(6, II), ILAS(6, II+1)
      WRITE(K,*) ' '
      GOTO 140
130  CALL THOMST(ILAS, IFIL1, IFIL2, THOM, NAVN)
      GOTO 120
C
C
C     ***** TEST FOR OUTPUT ON LP *****
C
140  IF(K.EQ.7) GOTO 150
      K=7
      GOTO 160
150  IF(IOPTIO.NE.1) GOTO 160
      ILP=1
      K=6
      WRITE(6,190) NAVN
      IF(TSTRL.GT.0) GOTO 130
      GOTO 110
160  CONTINUE
C
C
C     ***** LAST OUTPUT ON LP ? *****
C
170  IF(ILP.NE.1) GOTO 180
      WRITE(7,340)
      READ(IFIL1,300) TEST
      WRITE(IFIL2,300) TEST
      IF(TEST.EQ.'Y') CLOSE(UNIT=6)
      IF(TEST.EQ.'Y') ILP=0
180  IF(TSTRL.EQ.0.AND.IOPTIO.NE.1)
*     PAUSE 'NO MORE THOMSON SCATTERING DATA ON THIS SHOT'
190  FORMAT(/,'0 SHOT ',10A)
200  FORMAT(' ',/, ' ELECTRON TEMPERATURE [eV] :      ',F5.0,
*     ' STD.DEV. INTV:',2F6.0)
210  FORMAT(' ELECTRON DENSITY [1.E19 m**-3] : ',F5.2,' +/-',F5.2)
220  FORMAT(' TIME OF MEASUREMENT [msec]:      ',F4.1)
230  FORMAT(' LASER PULSE ENERGY [J] :      ',F4.2,' +/-',F4.2)
240  FORMAT(' GATE WIDTHS [nsec] :          ',F4.0,3X,F4.0)
250  FORMAT(' SIGNAL-TO-NOISE RATIOS:          ',F4.1,3X,F4.1)
260  FORMAT(' RATIO OF SCATTERING SIGNALS:     ',F6.3,' +/-',F5.3)
270  FORMAT(' NUMBER OF SCATTERED PHOTONS',/,
*     ' (PER UNIT SOLID ANGLE, PER JOULE INCIDENT ENERGY )',/,
*     ' CHANNEL 1 : ',1PG17.2,' +/-',1PG8.2,/,
*     ' CHANNEL 2 : ',1PG17.2,' +/-',1PG8.2)
280  FORMAT(' NUMBER OF PLASMA PHOTONS (PER UNIT SOLID ANGLE)',/,
*     ' CHANNEL 1 : ',1PG17.2,' +/-',1PG8.2,/,
```

```

* ' CHANNEL 2 : ',1PG17.2,' +/-',1PG8.2)
0128 290 FORMAT('OANY CHANGES IN OUTPUT ? ', $)
0129 300 FORMAT(A)
0130 310 FORMAT('OSELECT OUTPUT FORMAT =',/,
* ' 1: CONDENSED LISTING OF RESULTS',/,
* ' 2: EXTENDED LISTING OF RESULTS',/,
* ' 3: FULL LISTING OF DATA')
0131 320 FORMAT(I2)
0132 330 FORMAT(' OUTPUT ON LINEPRINTER ? ', $)
0133 340 FORMAT(' LAST OUTPUT ON LINEPRINTER ? ', $)
0134 350 FORMAT(' ALLOWANCE TO CORRECT STRAY LIGHT CALLIBRATION ? ', $)
0135 END

```

FORTRAN IV Storage Map for Program Unit THOMWR

Local Variables, .PSECT \$DATA, Size = 000056 (23. words)

Name	Type	Offset	Name	Type	Offset	Name	Type	Offset
C10	L*1	000012	C8	L*1	000010	C9	L*1	000011
I	I*2	000026	IC	I*2	000034	IFIL1	I*2 @	000000
IFIL2	I*2 @	000002	ILP	I*2	000040	ISS	I*2	000036
ITIME	I*2	000024	TEST	L*1	000023	THDM	L*1 @	000004
TSTRL	L*1	000022	X	R*4	000030			

COMMON Block / /, Size = 020422 (4233. words)

Name	Type	Offset	Name	Type	Offset	Name	Type	Offset
NAVNUD	L*1	000000	VFS	R*4	000120	SWA	R*4	000160
SWB	R*4	000220	NUL	R*4	000260	IS	I*2	000320
RD	L*1	000340	ILAS	I*2	020340	NTRAC	I*2	020420

COMMON Block /WAR /, Size = 000156 (55. words)

Name	Type	Offset	Name	Type	Offset	Name	Type	Offset
T	R*4	000000	DENSI	R*4	000014	DDENSI	R*4	000020
TID1	R*4	000024	TID2	R*4	000030	TID3	R*4	000034
E	R*4	000040	DE	R*4	000044	PHL1	R*4	000050
DPHEL1	R*4	000054	PHL2	R*4	000060	DPHEL2	R*4	000064
RAT	R*4	000070	DRAT	R*4	000104	SCPT1	R*4	000110
DSCAT1	R*4	000114	SCAT2	R*4	000120	DSCAT2	R*4	000124
PLAS1	R*4	000130	DPLAS1	R*4	000134	PLAS2	R*4	000140
DPLAS2	R*4	000144	K	I*2	000150	II	I*2	000152
IOPTIO	I*2	000154						

Local and COMMON Arrays:

Name	Type	Section	Offset	-----Size-----	Dimensions
ILAS	I*2 Vec	.\$\$\$.	020340	000060 (24.)	(6, 4)
IS	I*2	.\$\$\$.	000320	000020 (8.)	(8)
NAVN	L*1	@ \$DATA	000006	000012 (5.)	(10)
NAVNUD	L*1 Vec	.\$\$\$.	000000	000120 (40.)	(10, 8)

NUL	R*4	.\$\$\$\$.	000260	000040	(16.)	(8)
RAT	R*4	WAR	000070	000014	(6.)	(3)
RD	L*1 Vec	.\$\$\$\$.	000340	020000	(4096.)	(1024,8)
SWA	R*4	.\$\$\$\$.	000160	000040	(16.)	(8)
SWB	R*4	.\$\$\$\$.	000220	000040	(16.)	(8)
T	R*4	WAR	000000	000014	(6.)	(3)
VFS	R*4	.\$\$\$\$.	000120	000040	(16.)	(8)

Subroutines, Functions, Statement and Processor-Defined Functions:

Name	Type	Name	Type	Name	Type	Name	Type	Name	Type
ABS	R*4	MOD	I*2	THOMSO	R*4	THOMST	R*4		

APPENDIX B

Subroutine THOMSO

This appendix contains a listing of the THOMSO subroutine. This subroutine is linked to the MASTER program, and it is called by the THOMWR subroutine. THOMSO calculates the temperature and density from the Thomson scattering data.

RAN IV V02.5-2 Wed 22-Jun-83 10:21:29

```

SUBROUTINE THOMSO(ILAS, IFIL1, IFIL2, THOM, NAVN)
  INTEGER ILAS(6, 4), N1(50), N2(50)
  REAL PED(12), GAIN(12), TEMP(50), R(50), RAT(3), T(3)
  BYTE TEST, THOM, NAVN(10)
  COMMON/WAR/ T, DENS1, DDENSI, TID1, TID2, TID3, E, DE, PHEL1, DPHEL1,
*   PHEL2, DPHEL2, RAT, DRAT, SCAT1, DSCAT1, SCAT2, DSCAT2, PLAS1, DPLAS1,
*   PLAS2, DPLAS2, K, II
  OPEN(UNIT=15, NAME='DLO:THOMSO.DAT', TYPE='OLD', ACCESS='DIRECT',
*   RECORDSIZE=256)
  READ(15, 1) PED, GAIN, PEDTIM, EFAK, EPHEL1, EPHEL2, TRANS1, TRANS2,
*   VOL, TFAK1, TFAK2, CH1U, CH1L, CH2U, CH2L, HVOL, NTAB, TEMP, N1, N2, R,
*   STR1, STR2, DSTR1, DSTR2, DEFAC
  CLOSE(UNIT=15)

C
C
C ***** CALCULATE TIMES AND ENERGY *****
C
C   TID1=ILAS(5, II )/(PED(5)/PEDTIM+VOL*1000./GAIN(5)/50.)
C   TID2=ILAS(5, II+1)/(PED(5)/PEDTIM+VOL*1000./GAIN(5)/50.)
C   TT=TID1/TID2
C   TT=1.
C   TID3=TFAK1*((ILAS(6, II )-TID1/PEDTIM*PED(6))/TID1)**TFAK2
C   TID4=TFAK1*((ILAS(6, II+1)-TID2/PEDTIM*PED(6))/TID2)**TFAK2
C   TID3=(TID3+TID4)/2.
C   E=(ILAS(1, II)-TT*ILAS(1, II+1))*EFAK
C   DE=E*DEFAC

C
C
C ***** CALCULATE NUMBER OF PHOTONS *****
C
C   PHEL1=(ILAS(2, II)-TT*ILAS(2, II+1))*GAIN(2)/EPHEL1
C   PHEL2=(ILAS(4, II)-TT*ILAS(4, II+1))*GAIN(4)/EPHEL2
C   DPHEL1=SQRT((ILAS(2, II)+TT*ILAS(2, II+1))*GAIN(2)/EPHEL1)
C   DPHEL2=SQRT((ILAS(4, II)+TT*ILAS(4, II+1))*GAIN(4)/EPHEL2)
C   SCAT1=TRANS1*PHEL1/E-STR1
C   SCAT2=TRANS2*PHEL2/E-STR2
C   DSCAT1=SQRT((TRANS1*DPHEL1/E)**2+(TRANS1*PHEL1*DEFAC/E)**2
*   +DSTR1**2)

```

```
DSCAT2=SQRT((TRANS2*DPHEL2/E)**2+(TRANS2*PHEL2*DEFAC/E)**2
*          +DSTR2**2)
S1=(ILAS(2,II+1)-TID2/PEDTIM*PED(2))*GAIN(2)/EPHEL1
S2=(ILAS(4,II+1)-TID2/PEDTIM*PED(4))*GAIN(4)/EPHEL2
PLAS1=TRANS1*S1
PLAS2=TRANS2*S2
S1=ABS(S1)
S2=ABS(S2)
DPLAS1=TRANS1*SQRT(S1)
DPLAS2=TRANS2*SQRT(S2)

C
C
C ***** FIND TEMPERATURES AND DENSITY *****
C
IF(SCAT2.EQ.0.) RETURN
RAT(1)=SCAT1/SCAT2
DRAT=RAT(1)*SQRT((DSCAT1/SCAT1)**2+(DSCAT2/SCAT2)**2)
RAT(2)=RAT(1)+DRAT
RAT(3)=RAT(1)-DRAT
DO 530 J=1,3
IF(RAT(J).GT.0.) GOTO 500
T(J)=9999.
GOTO 530
500 DO 510 JJ=2,NTAB-1
IF(RAT(J).GT.R(JJ)) GOTO 520
510 CONTINUE
520 T(J)=TEMP(JJ-1)+
* (TEMP(JJ)-TEMP(JJ-1))/(R(JJ)-R(JJ-1))*(RAT(J)-R(JJ-1))
IF(J.EQ.1) AN=FLOAT(N1(JJ-1))+
* FLOAT(N1(JJ)-N1(JJ-1))/(R(JJ)-R(JJ-1))*(RAT(J)-R(JJ-1))+
* FLOAT(N2(JJ-1))+
* FLOAT(N2(JJ)-N2(JJ-1))/(R(JJ)-R(JJ-1))*(RAT(J)-R(JJ-1))
530 CONTINUE
DENSI=0.
DDENSI=0.
IF(AN.NE.0) DENSI=(SCAT1+SCAT2)/AN/100.
IF(AN.NE.0) DDENSI=SQRT(DSCAT1**2+DSCAT2**2)/AN/100.
END
```

FORTRAN IV Storage Map for Program Unit THOMSD

Local Variables, .PSECT \$DATA, Size = 001546 (435. words)

Name	Type	Offset	Name	Type	Offset	Name	Type	Offset
AN	R*4	001450	CH1L	R*4	001362	CH1U	R*4	001356
CH2L	R*4	001372	CH2U	R*4	001366	DEFAC	R*4	001424
DSTR1	R*4	001414	DSTR2	R*4	001420	EFAK	R*4	001316
EPHEL1	R*4	001322	EPHEL2	R*4	001326	HVOL	R*4	001376
IFIL1	I*2 @	000002	IFIL2	I*2 @	000004	J	I*2	001444
JJ	I*2	001446	NTAB	I*2	001402	PEDTIM	R*4	001312
STR1	R*4	001404	STR2	R*4	001410	S1	R*4	001434

S2	R*4	001440	TEST	L*1	001310	TFAK1	R*4	001346
TFAK2	R*4	001352	THOM	L*1 @	000006	TRANS1	R*4	001332
TRANS2	R*4	001336	TT	R*4	001430	VOL	R*4	001342

COMMON Block /WAR /, Size = 000154 (54. words)

Name	Type	Offset	Name	Type	Offset	Name	Type	Offset
T	R*4	000000	DENSI	R*4	000014	DDENSI	R*4	000020
TID1	R*4	000024	TID2	R*4	000030	TID3	R*4	000034
E	R*4	000040	DE	R*4	000044	PHEL1	R*4	000050
DPHEL1	R*4	000054	PHEL2	R*4	000060	DPHEL2	R*4	000064
RAT	R*4	000070	DRAT	R*4	000104	SCAT1	R*4	000110
DSCAT1	R*4	000114	SCAT2	R*4	000120	DSCAT2	R*4	000124
PLAS1	R*4	000130	DPLAS1	R*4	000134	PLAS2	R*4	000140
DPLAS2	R*4	000144	K	I*2	000150	II	I*2	000152

Local and COMMON Arrays:

Name	Type	Section	Offset	-----Size-----	Dimensions
GAIN	R*4	\$DATA	000402	000060 (24.)	(12)
ILAS	I*2	Vec@ \$DATA	000000	000060 (24.)	(6,4)
NAVN	L*1	@ \$DATA	000010	000012 (5.)	(10)
N1	I*2	\$DATA	000012	000144 (50.)	(50)
N2	I*2	\$DATA	000156	000144 (50.)	(50)
PED	R*4	\$DATA	000322	000060 (24.)	(12)
R	R*4	\$DATA	000772	000310 (100.)	(50)
RAT	R*4	WAR	000070	000014 (6.)	(3)
T	R*4	WAR	000000	000014 (6.)	(3)
TEMP	R*4	\$DATA	000462	000310 (100.)	(50)

Subroutines, Functions, Statement and Processor-Defined Functions:

Name	Type	Name	Type	Name	Type	Name	Type	Name	Type
ABS	R*4	FLOAT	R*4	SQRT	R*4				

APPENDIX C

Subroutine THOMST

This appendix contains a listing of the THOMST subroutine. This subroutine is linked to the MASTER program, and it is called from the THOMWR subroutine. THOMST handles information on stray light measurements and maintains a log of these measurements in file THOMST.DAT. It also updates the stray light calibration data in the data file THOMSO.DAT. For calculation of the mean stray light level from the stored data the subroutine MEAN is called. This subroutine calculates the mean and standard deviation of a set of data.

V02.5-2 Wed 22-Jun-83 10:33:34

```
SUBROUTINE THOMST(ILAS, IFIL1, IFIL2, THOM, NAVN)
  INTEGER ILAS(6,4), N1(50), N2(50)
  REAL PED(12), GAIN(12), TEMP(50), R(50), RAT(3), T(3)
  REAL STRAL1(50), STRAL2(50), STRAL3(50), STRAL4(50)
  BYTE TEST, THOM, NAVN(10)
  COMMON/WAR/ T, DENS1, DDENS1, TID1, TID2, TID3, E, DE, PHEL1, DPHEL1,
*   PHEL2, DPHEL2, RAT, DRAT, SCAT1, DSCAT1, SCAT2, DSCAT2, PLAS1, DPLAS1,
*   PLAS2, DPLAS2, K, II, IOPTIO, STRAL1, STRAL2, STRAL3, STRAL4
  OPEN(UNIT=15, NAME='DLO:THOMSO.DAT', TYPE='OLD', ACCESS='DIRECT',
*   RECORDSIZE=256)
  READ(15,1) PED, GAIN, PEDITIM, EFAK, EPHEL1, EPHEL2, TRANS1, TRANS2,
*   VOL, TFAK1, TFAK2, CH1U, CH1L, CH2U, CH2L, HVOL, NTAB, TEMP, N1, N2, R,
*   STR1, STR2, DSTR1, DSTR2, DEFAC
  CLOSE(UNIT=15)
```

***** CALCULATE TIMES AND ENERGY *****

```
TID1=ILAS(5, II )/(PED(5)/PEDITIM+VOL*1000./GAIN(5)/50.)
TID2=ILAS(5, II+1)/(PED(5)/PEDITIM+VOL*1000./GAIN(5)/50.)
TT=TID1/TID2
TT=1.
TID3=TFAK1*((ILAS(6, II )-TID1/PEDITIM*PED(6))/TID1)**TFAK2
TID4=TFAK1*((ILAS(6, II+1)-TID2/PEDITIM*PED(6))/TID2)**TFAK2
TID3=(TID3+TID4)/2.
E=(ILAS(1, II)-TT*ILAS(1, II+1))*EFAK
DE=E*DEFAC
WRITE(K, 930) E, DE
```

***** CALCULATE NUMBER OF PHOTONS *****

```
PHEL1=(ILAS(2, II)-TT*ILAS(2, II+1))*GAIN(2)/EPHEL1
PHEL2=(ILAS(4, II)-TT*ILAS(4, II+1))*GAIN(4)/EPHEL2
```



```
DPHEL1=SQRT((ILAS(2,II)+TT*ILAS(2,II+1))*GAIN(2)/EPHEL1)
DPHEL2=SQRT((ILAS(4,II)+TT*ILAS(4,II+1))*GAIN(4)/EPHEL2)
SCAT1=TRANS1*PHEL1/E
SCAT2=TRANS2*PHEL2/E
DSCAT1=SQRT((TRANS1*DPHEL1/E)**2+(TRANS1*PHEL1*DEFAC/E)**2)
DSCAT2=SQRT((TRANS2*DPHEL2/E)**2+(TRANS2*PHEL2*DEFAC/E)**2)
```

***** GET OLD CALIBRATION *****

```
OPEN(UNIT=15, NAME='DLO:THOMST.DAT', ACCESS='DIRECT', TYPE='OLD',
*   RECORDSIZE=128)
READ(15'1) STRAL1, STRAL2, NTAB1
CLOSE(UNIT=15)
CALL MEAN(X1, DX1, STRAL1, NTAB1)
CALL MEAN(X2, DX2, STRAL2, NTAB1)
IF(X1.NE.STR1.OR.X2.NE.STR2.OR.DX1.NE.DSTR1.OR.DX2.NE.DSTR2)
*   WRITE(K, 910) X1, DX1, X2, DX2
```

***** CALCULATE NEW CALIBRATION *****

```
NMAX=NTAB1+1
IF(NMAX.GT.50) NMAX=50
DO 900 I=2, NMAX
STRAL3(I)=STRAL1(I-1)
STRAL4(I)=STRAL2(I-1)
STRAL3(1)=SCAT1
STRAL4(1)=SCAT2
CALL MEAN(X1, DX1, STRAL3, NMAX)
CALL MEAN(X2, DX2, STRAL4, NMAX)
WRITE(K, 920) NTAB1, STR1, DSTR1, STR2, DSTR2,
*   SCAT1, DSCAT1, SCAT2, DSCAT2, NMAX, X1, DX1, X2, DX2
IF(II.EQ.1.AND.IOPTIO.NE.1) PAUSE
IF(II.EQ.3.AND.IOPTIO.NE.1)
*   PAUSE 'NO MORE STRAY LIGHT DATA ON THIS SHOT'
IF(IOPTIO.LT.10) RETURN
```

***** STORE RESULTS *****

```
OPEN(UNIT=15, NAME='DLO:THOMST.DAT', ACCESS='DIRECT', TYPE='OLD',
*   RECORDSIZE=128)
WRITE(15'1) STRAL3, STRAL4, NMAX
CLOSE(UNIT=15)
OPEN(UNIT=15, NAME='DLO:THOMSO.DAT', TYPE='OLD', ACCESS='DIRECT',
*   RECORDSIZE=256)
WRITE(15'1) PED, GAIN, PEDTIM, EFAK, EPHEL1, EPHEL2, TRANS1, TRANS2,
*   VOL, TFAK1, TFAK2, CH1U, CH1L, CH2U, CH2L, HVOL, NTAB, TEMP, N1, N2, R,
*   X1, X2, DX1, DX2, DEFAC
CLOSE(UNIT=15)
FORMAT(/, ' ***** WARNING *****', /,
*   ' DIFFERENCE IN STRAY LIGHT CALIBRATION', /,
```

```

*      ' DATA FROM "DLO:THOMST.DAT":',/,
*      ' CHANNEL 1 : ',1PG17.2,' +/- ',1PG8.2,/,
*      ' CHANNEL 2 : ',1PG17.2,' +/- ',1PG8.2)
  FORMAT(/,
*      ' OLD STRAY LIGHT CALIBRATION (MEAN OVER ',I2,' PULSES) : ',/,
*      ' CHANNEL 1 : ',1PG17.2,' +/- ',1PG8.2,/,
*      ' CHANNEL 2 : ',1PG17.2,' +/- ',1PG8.2,/,
*      ' OSTRAY LIGHT ON THIS PULSE : ',/,
*      ' CHANNEL 1 : ',1PG17.2,' +/- ',1PG8.2,/,
*      ' CHANNEL 2 : ',1PG17.2,' +/- ',1PG8.2,/,
*      ' NEW STRAY LIGHT CALIBRATION (MEAN OVER ',I2,' PULSES) : ',/,
*      ' CHANNEL 1 : ',1PG17.2,' +/- ',1PG8.2,/,
*      ' CHANNEL 2 : ',1PG17.2,' +/- ',1PG8.2,/)
  FORMAT(' LASER ENERGY [J] : ',F4.2,' +/- ',F4.2)
  END

```

FORTRAN IV Storage Map for Program Unit THOMST

Local Variables, .PSECT \$DATA, Size = 001514 (422. words)

Name	Type	Offset	Name	Type	Offset	Name	Type	Offset
CH1L	R*4	001364	CH1U	R*4	001360	CH2L	R*4	001374
CH2U	R*4	001370	DEFAC	R*4	001426	DSTR1	R*4	001416
DSTR2	R*4	001422	DX1	R*4	001444	DX2	R*4	001454
EFAK	R*4	001320	EPHEL1	R*4	001324	EPHEL2	R*4	001330
HVOL	R*4	001400	I	I*2	001462	IFIL1	I*2 @	000002
IFIL2	I*2 @	000004	NMAX	I*2	001460	NTAB	I*2	001404
NTAB1	I*2	001436	PEDTIM	R*4	001314	STR1	R*4	001406
STR2	R*4	001412	TEST	L*1	001312	TFAK1	R*4	001350
TFAK2	R*4	001354	THOM	L*1 @	000006	TRANS1	R*4	001334
TRANS2	R*4	001340	TT	R*4	001432	VOL	R*4	001344
X1	R*4	001440	X2	R*4	001450			

COMMON Block /WAR /, Size = 001616 (455. words)

Name	Type	Offset	Name	Type	Offset	Name	Type	Offset
T	R*4	000000	DENSI	R*4	000014	DDENSI	R*4	000020
TID1	R*4	000024	TID2	R*4	000030	TID3	R*4	000034
E	R*4	000040	DE	R*4	000044	PHEL1	R*4	000050
DPHEL1	R*4	000054	PHEL2	R*4	000060	DPHEL2	R*4	000064
RAT	R*4	000070	DRAT	R*4	000104	SCAT1	R*4	000110
DSCAT1	R*4	000114	SCAT2	R*4	000120	DSCAT2	R*4	000124
PLAS1	R*4	000130	DPLAS1	R*4	000134	PLAS2	R*4	000140
DPLAS2	R*4	000144	K	I*2	000150	II	I*2	000152
IDPTIO	I*2	000154	STRAL1	R*4	000156	STRAL2	R*4	000466
STRAL3	R*4	000776	STRAL4	R*4	001306			

Local and COMMON Arrays:

Name	Type	Section	Offset	-----Size-----	Dimensions
GAIN	R*4	\$DATA	000402	000060 (24.)	(12)

ILAS	I*2	Vec@	\$DATA	000000	000060	(24.)	(6,4)
NAVN	L*1	@	\$DATA	000010	000012	(5.)	(10)
N1	I*2		\$DATA	000012	000144	(50.)	(50)
N2	I*2		\$DATA	000156	000144	(50.)	(50)
PED	R*4		\$DATA	000322	000060	(24.)	(12)
R	R*4		\$DATA	000772	000310	(100.)	(50)
RAT	R*4		WAR	000070	000014	(6.)	(3)
STRAL1	R*4		WAR	000156	000310	(100.)	(50)
STRAL2	R*4		WAR	000466	000310	(100.)	(50)
STRAL3	R*4		WAR	000776	000310	(100.)	(50)
STRAL4	R*4		WAR	001306	000310	(100.)	(50)
T	R*4		WAR	000000	000014	(6.)	(3)
TEMP	R*4		\$DATA	000462	000310	(100.)	(50)

Subroutines, Functions, Statement and Processor-Defined Functions:

Name	Type	Name	Type	Name	Type	Name	Type	Name	Type
MEAN	I*2	SQRT	R*4						

FORTRAN IV V02.5-2 Wed 22-Jun-83 10:34:02

```

0001            SUBROUTINE MEAN(X,DX,A,NTAB)
0002            REAL A(NTAB)
          C
          C
          C        ROUTINE CALCULATES THE MEAN AND STANDARD DEVIATION (X,DX)
          C        OF THE NUMBERS IN ARRAY A.
          C
0003            S1=0.
0004            S2=0.
0005            X=0.
0006            DX=0.
0007            IF(NTAB.LE.0) RETURN
0009            DO 940 I=1,NTAB
0010            S1=S1+A(I)
0011        940    S2=S2+A(I)**2
0012            X=S1/NTAB
0013            IF(NTAB-1.GT.0) DX=(S2-NTAB*X**2)/(NTAB-1)
0015            IF(DX.GT.0) DX=SQRT(DX)
0017            END

```

FORTRAN IV Storage Map for Program Unit MEAN

Local Variables, .PSECT \$DATA, Size = 000032 (13. words)

Name	Type	Offset	Name	Type	Offset	Name	Type	Offset
DX	R*4	@ 000002	I	I*2	000022	NTAB	I*2	@ 000006
S1	R*4	000012	S2	R*4	000016	X	R*4	@ 000000

APPENDIX D

Program THOMO

This appendix contains a listing of the THOMO program. The program generates the table of expected scattering data used for estimating the temperature and density. The main program calls the subroutine ROMINT for Romberg integration of the function F, which is the spectral density function.

V02.5-2 Wed 22-Jun-83 10:18:34

```
PROGRAM THOMO
REAL PED(12),GAIN(12),TEMP(50),TEMPO(50),R(50),RO(50)
INTEGER N1(50),N10(50),N2(50),N20(50)
LOGICAL*1 DA(9),TI(8),RS,US,AA
DATA RS,US/30,31/
WRITE(7,99)
FORMAT('0')
WRITE(7,100) 1
FORMAT(' ENTER CHANNEL ',I1,' (LMIN,LMAX) IN nm (2F9.4): ', $)
READ(5,101) CH1L,CH1U
WRITE(7,100) 2
READ(5,101) CH2L,CH2U
FORMAT(3F9.4)
WRITE(7,102)
FORMAT(' ENTER TEMPERATURE INTERVAL (TMIN,TMAX)',/,
*' IN eV FOR CALCULATION (2F9.4) :' $)
READ(5,101) TMIN,TMAX
DT=(TMAX-TMIN)/49.
CALL DATE(DA)
CALL TIME(TI)
WRITE(6,103) DA, TI, US, RS, CH1L, CH1U, CH2L, CH2U, TMIN, TMAX, DT
WRITE(7,103) DA, TI, ' ', ' ', CH1L, CH1U, CH2L, CH2U, TMIN, TMAX, DT
FORMAT(' ',9A,T80,8A,/,T10,A,' SPECTROMETER RESPONSE',A,
*,/,T10,'Calculation of number of detected photoelectrons in',/,
*T10,'channel 1 : ',F8.2,' nm - ',F8.2,' nm',/,
*T10,'channel 2 : ',F8.2,' nm - ',F8.2,' nm',/,
*T10,'calculated in the temperature range',/,
*T10,F4.0,' eV - ',F4.0,' eV with stepsize ',F4.0,' eV',///,
*T10,'T (eV)',T18,'N1 (counts)',T33,'N2 (counts)',T48,'R = N1/N2',
*T60,'DELTA(R)/R (%)' !,T77,'Ntotal (counts)')
TMIN=TMIN/1000.
TMAX=TMAX/1000.
DT=DT/1000.
DO 20 J=1,50
TEMP(J)=TMIN+DT*(J-1)
MAXE=15
CALL ROMINT(XX,ERR,.001,CH1L,CH1U,N,MAXE,TEMP(J))
```

```

MAXE=15
CALL ROMINT(YY, ERR, .001, CH2L, CH2U, N, MAXE, TEMP(J))
MAXE=15
CALL ROMINT(ZZ, ERR, .0001, 500., 900., N, MAXE, TEMP(J))
XX=XX*1.7132E4      ! 1.7132E6 PHOTONS @ 1 JOULE
YY=YY*1.7132E4      ! AND 1.E19 M-3 AND PER SRAD
ZZ=ZZ*1.7132E4
TEMP(J)=1000.*TEMP(J)
N1(J)=IFIX(XX+.5)
N2(J)=IFIX(YY+.5)
R(J)=10000.
DR=R(J)
IF(N1(J).EQ.0.OR.N2(J).EQ.0) GOTO 21
R(J)=FLOAT(N1(J))/FLOAT(N2(J))
DR=SQRT(1./N1(J)+1./N2(J))*100.
WRITE(6,104) TEMP(J),N1(J),N2(J),R(J),DR      !, IFIX(ZZ+.5)
WRITE(7,104) TEMP(J),N1(J),N2(J),R(J),DR      !, IFIX(ZZ+.5)
FORMAT(T10,F4.0,T18,I6,T33,I6,T48,F9.4,T60,F9.4,T77,I6)
CONTINUE
CLOSE(UNIT=6)
WRITE(7,*) 'TO SAVE RESULTS ON "THOMSO.DAT" TYPE "Y"'
READ(5,105) AA
FORMAT(A)
IF(AA.NE.'Y') GOTO 10
OPEN(UNIT=15, NAME='THOMSO.DAT', TYPE='OLD', ACCESS='DIRECT',
* RECORDSIZE=256)
READ(15'1) PED, GAIN, PEDTIM, EFAK, EPHEL1, EPHEL2, TRANS1, TRANS2,
* VOL, TFAK1, TFAK2, CH1U0, CH1L0, CH2U0, CH2L0, HVOL, NTAB,
* TEMPO, N10, N20, RO, STR1, STR2, DSTR1, DSTR2
CLOSE(UNIT=15)
NTAB=50
OPEN(UNIT=15, NAME='THOMSO.DAT', TYPE='NEW', ACCESS='DIRECT',
* RECORDSIZE=256)
WRITE(15'1) PED, GAIN, PEDTIM, EFAK, EPHEL1, EPHEL2, TRANS1, TRANS2,
* VOL, TFAK1, TFAK2, CH1U, CH1L, CH2U, CH2L, HVOL, NTAB, TEMP, N1, N2, R,
* STR1, STR2, DSTR1, DSTR2
CLOSE(UNIT=15)
GOTO 10
STOP
END

```

FORTTRAN IV Storage Map for Program Unit THOMO

Local Variables, .PSECT \$DATA, Size = 002702 (737. words)

Name	Type	Offset	Name	Type	Offset	Name	Type	Offset
AA	L*1	002454	CH1L	R*4	002456	CH1L0	R*4	002614
CH1U	R*4	002462	CH1U0	R*4	002610	CH2L	R*4	002466
CH2L0	R*4	002624	CH2U	R*4	002472	CH2U0	R*4	002620
DR	R*4	002540	DSTR1	R*4	002646	DSTR2	R*4	002652
DT	R*4	002506	EFAK	R*4	002550	EPHEL1	R*4	002554

EPHEL2	R*4	002560	ERR	R*4	002522	HVOL	R*4	002630
J	I*2	002512	MAXE	I*2	002514	N	I*2	002526
NTAB	I*2	002634	PEDTIM	R*4	002544	RS	L*1	002441
STR1	R*4	002636	STR2	R*4	002642	TFAK1	R*4	002600
TFAK2	R*4	002604	TMAX	R*4	002502	TMIN	R*4	002476
TRANS1	R*4	002564	TRANS2	R*4	002570	US	L*1	002442
VOL	R*4	002574	XX	R*4	002516	YY	R*4	002530
ZZ	R*4	002534						

Local and COMMON Arrays:

Name	Type	Section	Offset	-----Size-----	Dimensions
DA	L*1	\$DATA	002420	000011 (5.)	(9)
GAIN	R*4	\$DATA	000060	000060 (24.)	(12)
N1	I*2	\$DATA	001600	000144 (50.)	(50)
N10	I*2	\$DATA	001744	000144 (50.)	(50)
N2	I*2	\$DATA	002110	000144 (50.)	(50)
N20	I*2	\$DATA	002254	000144 (50.)	(50)
PED	R*4	\$DATA	000000	000060 (24.)	(12)
R	R*4	\$DATA	000760	000310 (100.)	(50)
RO	R*4	\$DATA	001270	000310 (100.)	(50)
TEMP	R*4	\$DATA	000140	000310 (100.)	(50)
TEMPO	R*4	\$DATA	000450	000310 (100.)	(50)
TI	L*1	\$DATA	002431	000010 (4.)	(8)

Subroutines, Functions, Statement and Processor-Defined Functions:

Name	Type	Name	Type	Name	Type	Name	Type	Name	Type
DATE	R*4	FLOAT	R*4	IFIX	I*2	ROMINT	R*4	SQRT	R*4
TIME	R*4								

FORTRAN IV V02.5-2 Wed 22-Jun-83 10:19:00

```

0001            FUNCTION F(BL,T)
0002            X=BL/694.3
0003            A=255.5/T
0004            C=A/3.141592654
0005            C=SQRT(C)
0006            C=C*(1-15./16./A+345./512./A**2)
0007            F=(X**2+1.)/2./X
0008            F=-(SQRT(F)-1.)*2.*A
0009            F=EXP(F)/X**3/SQRT(X**2+1.)
0010            F=F*C/694.3
          C        KVANTE-EFFEKTIVITET
          C        F=F*(24.95-BL*29.3E-3)/100.
0011            END

```

FORTRAN IV Storage Map for Program Unit F

Local Variables, .PSECT \$DATA, Size = 000034 (14. words)

Name	Type	Offset	Name	Type	Offset	Name	Type	Offset
A	R*4	000014	BL	R*4 @	000000	C	R*4	000020
F	R*4	000004	Eqv T	R*4 @	000002	X	R*4	000010

Subroutines, Functions, Statement and Processor-Defined Functions:

Name	Type	Name	Type	Name	Type	Name	Type	Name	Type
EXP	R*4	SQRT	R*4						

FORTRAN IV V02.5-2 Wed 22-Jun-83 10:19:12

```
0001            SUBROUTINE ROMINT (VAL, ERR, EPS, A, B, N, MAXE, TE)
0002            REAL RM(16)
0003            T=(B-A)*(F(A, TE)+F(B, TE))* .5
0004            RM(1)=(B-A)*F((A+B)*.5, TE)
0005            N=2
0006            R=4.
0007            DO 11 K=1, MAXE
0008            BB=(R*.5-1.)/(R-1.)
0009            T=RM(1)+BB*(T-RM(1))
0010            N=2*N
0011            S=0.
0012            H=(B-A)/FLOAT(N)
0013            IF (N-32) 1, 1, 2
0014        1            NO=N
0015            GOTO 3
0016        2            NO=32
0017        3            IF (N-512) 4, 4, 5
0018        4            N1=N
0019            GOTO 6
0020        5            N1=512
0021        6            DO 9 K2=1, N, 512
0022            S1=0.
0023            KK=K2+N1-1
0024            DO 8 K1=K2, KK, 32
0025            S0=.0
0026            KKK=K1+NO-1
0027            DO 7 KO=K1, KKK, 2
0028            S0=S0+F(A+FLOAT(KO)*H, TE)
0029        7            CONTINUE
0030            S1=S0+S1
0031        8            CONTINUE
0032            S=S+S1
0033        9            CONTINUE
0034            RM(K+1)=2.*H*S
0035            R=4.
0036            DO 10 J=1, K
0037            L=K+1-J
0038            RM(L)=RM(L+1)+(RM(L+1)-RM(L))/(R-1.)
```



```

0039      R=4.*R
0040 10    CONTINUE
0041      ERR=ABS(T-RM(1))*5
0042      VAL=(T+RM(1))*5
0043      IF (VAL.EQ.0) VAL=1.E-8
0045      IF ((ABS(ERR/VAL))-EPS) 12,12,11
0046 11    CONTINUE
0047      K=0
0048 12    VAL=(T+RM(1))*5
0049      N=N+1
0050      MAXE=K
0051      RETURN
0052      END

```

FORTRAN IV Storage Map for Program Unit ROMINT

Local Variables, .PSECT \$DATA, Size = 000226 (75. words)

Name	Type	Offset	Name	Type	Offset	Name	Type	Offset
A	R*4 @	000006	B	R*4 @	000010	BB	R*4	000134
EPS	R*4 @	000004	ERR	R*4 @	000002	H	R*4	000144
J	I*2	000176	K	I*2	000132	KK	I*2	000162
KKK	I*2	000172	KD	I*2	000174	K1	I*2	000164
K2	I*2	000154	L	I*2	000200	MAXE	I*2 @	000014
N	I*2 @	000012	ND	I*2	000150	N1	I*2	000152
R	R*4	000126	S	R*4	000140	SO	R*4	000166
S1	R*4	000156	T	R*4	000122	TE	P*4 @	000016
VAL	R*4 @	000000						

Local and COMMON Arrays:

Name	Type	Section	Offset	-----Size-----	Dimensions
RM	R*4	\$DATA	000020	000100 (32.)	(16)

Subroutines, Functions, Statement and Processor-Defined Functions:

Name	Type	Name	Type	Name	Type	Name	Type	Name	Type
ABS	R*4	F	R*4	FLOAT	R*4				

APPENDIX E

Programs THOM1, THOM2 and THOM3

This appendix contains listings of the programs THOM1, THOM2 and THOM3. These programs are used to operate on the data file THOMSO.DAT.

THOM1 creates a new version of THOMSO.DAT from scratch, and THOM2 is easily adjusted to do single value editing on the data file. THOM3 gives a listing of the present values in the file.

VO2.5-2 Wed 22-Jun-83 10:19:39

```
PROGRAM THOM1
REAL PED(12), GAIN(12), TEMP(50), R(50)
INTEGER N1(50), N2(50)
OPEN(UNIT=15, NAME='THOMSO.DAT', TYPE='OLD', ACCESS='DIRECT',
* RECORDSIZE=256)
READ(15' 1) PED, GAIN, PEDITIM, EFAK, EPHEL1, EPHEL2, TRANS1, TRANS2,
* VOL, TFAK1, TFAK2, CH1U, CH1L, CH2U, CH2L, HVOL, NTAB, TEMP, N1, N2, R,
* STR1, STR2, DSTR1, DSTR2, DEFAC
CLOSE(UNIT=15)
DO 10 J=1, 12
PED(J)=10
GAIN(J)=.47
PEDITIM=80.
EFAK=.0087
EPHEL1=6.29E-1
EPHEL2=4.66E-1
TRANS1=472.E3
TRANS2=387.E3
VOL=.0832
TFAK1=13.2374
TFAK2=1.1346
CH1U=692.
CH1L=684.
CH2U=682.
CH2L=658.
HVOL=1900.
NTAB=50
STR1=1.300E7
STR2=1.015E7
DSTR1=3.27E6
DSTR2=1.71E6
DEFAC=.065
DO 20 J=1, NTAB
TEMP(J)=0.
R(J)=0.
```

```

C      N1(J)=0
C20   N2(J)=0
      OPEN(UNIT=15, NAME=' THOMSO. DAT' , TYPE=' OLD' , ACCESS=' DIRECT' ,
*     RECORDSIZE=256)
      WRITE(15' 1) PED, GAIN, PEDTIM, EFAK, EPHEL1, EPHEL2, TRANS1, TRANS2,
*     VOL, TFAK1, TFAK2, CH1U, CH1L, CH2U, CH2L, HVOL, NTAB, TEMP, N1, N2, R,
*     STR1, STR2, DSTR1, DSTR2, DEFAC
      CLOSE(UNIT=15)
      END

```

FORTRAN IV Storage Map for Program Unit THOM1

Local Variables, .PSECT \$DATA, Size = 001406 (387. words)

Name	Type	Offset	Name	Type	Offset	Name	Type	Offset
CH1L	R*4	001340	CH1U	R*4	001334	CH2L	R*4	001350
CH2U	R*4	001344	DEFAC	R*4	001402	DSTR1	R*4	001372
DSTR2	R*4	001376	EFAK	R*4	001274	EPHEL1	R*4	001300
EPHEL2	R*4	001304	HVOL	R*4	001354	NTAB	I*2	001360
PEDTIM	R*4	001270	STR1	R*4	001362	STR2	R*4	001366
TFAK1	R*4	001324	TFAK2	R*4	001330	TRANS1	R*4	001310
TRANS2	R*4	001314	VOL	R*4	001320			

Local and COMMON Arrays:

Name	Type	Section	Offset	-----Size-----	Dimensions
GAIN	R*4	\$DATA	000060	000060 (24.)	(12)
N1	I*2	\$DATA	000760	000144 (50.)	(50)
N2	I*2	\$DATA	001124	000144 (50.)	(50)
PED	R*4	\$DATA	000000	000060 (24.)	(12)
R	R*4	\$DATA	000450	000310 (100.)	(50)
TEMP	R*4	\$DATA	000140	000310 (100.)	(50)

VO2.5-2 Wed 22-Jun-83 10:20:03

```

PROGRAM THOM2
REAL EFAK, EPHEL1, EPHEL2, TRANS1, TRANS2, VOL,
* TFAK1, TFAK2, CH1U, CH1L, CH2U, CH2L, HVOL, STR1, STR2, DSTR1, DSTR2,
* DEFAC
REAL PED(12), GAIN(12), TEMP(50), R(50)
INTEGER N1(50), N2(50), NTAB
OPEN(UNIT=15, NAME=' THOMSO. DAT' , TYPE=' OLD' , ACCESS=' DIRECT' ,
* RECORDSIZE=256)
READ(15' 1) PED, GAIN, PEDTIM, EFAK, EPHEL1, EPHEL2, TRANS1, TRANS2,
* VOL, TFAK1, TFAK2, CH1U, CH1L, CH2U, CH2L, HVOL, NTAB, TEMP, N1, N2, R,
* STR1, STR2, DSTR1, DSTR2, DEFAC
CLOSE(UNIT=15)
STR1=0.
STR2=0.

```

```

DSTR1=0.
DSTR2=0.
OPEN (UNIT=15, NAME=' THOMSO. DAT' , TYPE=' OLD' , ACCESS=' DIRECT' ,
*   RECORDSIZE=256)
WRITE (15' 1) PED, GAIN, PEDTIM, EFAK, EPHEL1, EPHEL2, TRANS1, TRANS2,
*   VOL, TFAK1, TFAK2, CH1U, CH1L, CH2U, CH2L, HVOL, NTAB, TEMP, N1, N2, R,
*   STR1, STR2, DSTR1, DSTR2, DEFAK
CLOSE (UNIT=15)
END

```

FORTRAN IV Storage Map for Program Unit THOM2

Local Variables, .PSECT \$DATA, Size = 001406 (387. words)

Name	Type	Offset	Name	Type	Offset	Name	Type	Offset
CH1L	R*4	001334	CH1U	R*4	001330	CH2L	R*4	001344
CH2U	R*4	001340	DEFAK	R*4	001374	DSTR1	R*4	001364
DSTR2	R*4	001370	EFAK	R*4	001270	EPHEL1	R*4	001274
EPHEL2	R*4	001300	HVOL	R*4	001350	NTAB	I*2	001400
PEDTIM	R*4	001402	STR1	R*4	001354	STR2	R*4	001360
TFAK1	R*4	001320	TFAK2	R*4	001324	TRANS1	R*4	001304
TRANS2	R*4	001310	VOL	R*4	001314			

Local and COMMON Arrays:

Name	Type	Section	Offset	-----Size-----	Dimensions
GAIN	R*4	\$DATA	000060	000060 (24.)	(12)
N1	I*2	\$DATA	000760	000144 (50.)	(50)
N2	I*2	\$DATA	001124	000144 (50.)	(50)
PED	R*4	\$DATA	000000	000060 (24.)	(12)
R	R*4	\$DATA	000450	000310 (100.)	(50)
TEMP	R*4	\$DATA	000140	000310 (100.)	(50)

V02.5-2 Wed 22-Jun-83 10:20:25

```

PROGRAM THOM3
REAL PED(12), GAIN(12), TEMP(50), R(50)
INTEGER N1(50), N2(50)
OPEN (UNIT=15, NAME=' THOMSO. DAT' , TYPE=' OLD' , ACCESS=' DIRECT' ,
*   RECORDSIZE=256)
READ (15' 1) PED, GAIN, PEDTIM, EFAK, EPHEL1, EPHEL2, TRANS1, TRANS2,
*   VOL, TFAK1, TFAK2, CH1U, CH1L, CH2U, CH2L, HVOL, NTAB, TEMP, N1, N2, R,
*   STR1, STR2, DSTR1, DSTR2, DEFAK
CLOSE (UNIT=15)
DO 10 J=1, 12
TYPE *, 'CH', PED, GAIN : ', J-1, PED(J), GAIN(J)
TYPE *, 'PEDTIM : ', PEDTIM
TYPE *, 'EFAK : ', EFAK
TYPE *, 'EPHEL1 : ', EPHEL1

```

```

0012      TYPE *,'EPHEL2 : ',EPHEL2
0013      TYPE *,'TRANS1 : ',TRANS1
0014      TYPE *,'TRANS2 : ',TRANS2
0015      TYPE *,'VOL : ',VOL
0016      TYPE *,'TFAK1 : ',TFAK1
0017      TYPE *,'TFAK2 : ',TFAK2
0018      TYPE *,'CH1U : ',CH1U
0019      TYPE *,'CH1L : ',CH1L
0020      TYPE *,'CH2U : ',CH2U
0021      TYPE *,'CH2L : ',CH2L
0022      TYPE *,'HVOL : ',HVOL
0023      TYPE *,'NTAB : ',NTAB
0024      TYPE *,'STR1 : ',STR1
0025      TYPE *,'STR2 : ',STR2
0026      TYPE *,'DSTR1 : ',DSTR1
0027      TYPE *,'DSTR2 : ',DSTR2
0028      TYPE *,'DEFAK : ',DEFAK
0029      DO 20 J=1,NTAB
0030  20   TYPE *,'TEMP,R,N1,N2 : ',TEMP(J),R(J),N1(J),N2(J)
0031      END

```

FORTTRAN IV Storage Map for Program Unit THOM3

Local Variables, .PSECT \$DATA, Size = 001426 (395. words)

Name	Type	Offset	Name	Type	Offset	Name	Type	Offset
CH1L	R*4	001354	CH1U	R*4	001350	CH2L	R*4	001364
CH2U	R*4	001360	DEFAK	R*4	001416	DSTR1	R*4	001406
DSTR2	R*4	001412	EFAK	R*4	001310	EPHEL1	R*4	001314
EPHEL2	R*4	001320	HVOL	R*4	001370	J	I*2	001422
NTAB	I*2	001374	PEDTIM	R*4	001304	STR1	R*4	001376
STR2	R*4	001402	TFAK1	R*4	001340	TFAK2	R*4	001344
TRANS1	R*4	001324	TRANS2	R*4	001330	VOL	R*4	001334

Local and COMMON Arrays:

Name	Type	Section	Offset	-----Size-----	Dimensions
GAIN	R*4	\$DATA	000060	000060 (24.)	(12)
N1	I*2	\$DATA	000760	000144 (50.)	(50)
N2	I*2	\$DATA	001124	000144 (50.)	(50)
PED	R*4	\$DATA	000000	000060 (24.)	(12)
R	R*4	\$DATA	000450	000310 (100.)	(50)
TEMP	R*4	\$DATA	000140	000310 (100.)	(50)

APPENDIX F

Program THOM4

This appendix contains a listing of the THOM4 program. The program is used for calibration of the charge integrating ADC (LeCroy 2250L).

The program leads the operator through the calibration procedure of the ADC and optionally writes the new calibration constants on the data file THOMSD.DAT.

V02.5-2 Wed 22-Jun-83 10:20:51

```
PROGRAM THOM4
REAL PED(12), PED0(12), GAIN(12), GAIN0(12), TEMP(50), R(50)
INTEGER N1(50), N2(50)
BYTE ADATE(9), ATIME(8), TEXT(80)
REAL SUMI(12), SUMIV(12), SUMII(12)
DO 2 JJ=1, 12
SUMI(JJ)=0.
SUMIV(JJ)=0.
SUMII(JJ)=0.
SUMV=0.
SUMVV=0.
N=0
WRITE(7, 100)
FORMAT(' CALIBRATION OF LECROY 2250L', /
* ' APPLY TEST VOLTAGE TO FRONT INPUT AND CAMAC ''INHIBIT''', /
* ' ENTER NUMBER OF GATES FOR EACH TEST VOLTAGE')
READ(5, *) NUM
WRITE(7, 101)
FORMAT(' ENTER TEST VOLTAGE ((0 FOR CONTINUE)')
READ(5, *) V
IF(V.LT.0.) GOTO 20
CALL CSSA(9, 512*4, I, IQ)
CALL ISLEEP(0, 0, 0, 1)
DO 10 J=1, NUM
N=N+1
SUMV=SUMV+V
SUMVV=SUMVV+V**2
CALL CSSA(25, 512*4, I, IQ)
CALL ISLEEP(0, 0, 0, 1)
DO 10 JJ=1, 12
CALL CSSA(2, 512*4+32*(JJ-1), I, IQ)
IF(IQ.NE.0) GOTO 6
WRITE(7, *) '*** WARNING NO Q-RESPONSE - TRY AGAIN ***'
GOTO 1
SUMI(JJ)=SUMI(JJ)+I
SUMIV(JJ)=SUMIV(JJ)+I*V
```

```
10  SUMII(JJ)=SUMII(JJ)+FLOAT(I)**2
    GOTO 5
20  IF(N.EQ.0) GOTO 1
    B=SUMVV-SUMV**2/N
    WRITE(7,102)
102  FORMAT('0',X,
*     'CHANNEL          SLOPE    PEDESTRAL',
*     '    CORRELATION  CONVERSION FACTOR',/,
*     '                [cnts/Volt]    [cnts]',
*     '                                [pC/ent]')
    IF(B.EQ.0.) GOTO 1
    DO 25 JJ=1,12
    J=JJ
    A1=(SUMIV(J)-SUMV*SUMI(J)/N)/B
    A0=(SUMI(J)-A1*SUMV)/N
    PED(J)=A0
    GAIN(J)=12.5/(A1+1.E-8)
    C=SUMII(J)-SUMI(J)**2/N
    RR=9999.999
    IF(C.NE.0.) RR=(SUMIV(J)-SUMV*SUMI(J)/N)**2/C/B
25  WRITE(7,103) J-1,A1,A0,RR,12.5/(A1+1.E-8)
103  FORMAT(X,I6,F15.2,F13.2,F15.3,F15.3)
    WRITE(7,109) NUM,N/NUM
    WRITE(7,*) 'TO STORE RESULTS ON "THOMSO.DAT" TYPE "Y"'
    READ(5,104) AA
    IF(AA.NE.'Y') GOTO 79
    OPEN(UNIT=15,NAME='THOMSO.DAT',TYPE='OLD',ACCESS='DIRECT',
*     RECORDSIZE=256)
    READ(15'1) PED0,GAIN0,EFAK,EPHEL1,EPHEL2,TRANS1,TRANS2,VOL,
*     TFAK1,TFAK2,CH1U,CH1L,CH2U,CH2L,HVOL,NTAB,TEMP,N1,N2,R,
*     STR1,STR2,DSTR1,DSTR2
    CLOSE(UNIT=15)
    OPEN(UNIT=15,NAME='THOMSO.DAT',TYPE='NEW',ACCESS='DIRECT',
*     RECORDSIZE=256)
    WRITE(15'1) PED,GAIN,EFAK,EPHEL1,EPHEL2,TRANS1,TRANS2,VOL,
*     TFAK1,TFAK2,CH1U,CH1L,CH2U,CH2L,HVOL,NTAB,TEMP,N1,N2,R,
*     STR1,STR2,DSTR1,DSTR2
    CLOSE(UNIT=15)
79  WRITE(7,*) 'FOR PRINTOUT OF RESULTS TYPE "Y"'
    READ(5,104) AA
104  FORMAT(A)
    IF(AA.NE.'Y') GOTO 1
    CALL DATE(ADATE)
    CALL TIME(ATIME)
    WRITE(6,110) ADATE,ATIME
110  FORMAT(X,9A,T80,8A,/,T10,
*     ' CALIBRATION OF LECROY MODULE 2250L',
*     '//,T10,' INTERNAL GATE (APPROX 80. NSEC) IS USED WITH',/,
*     ' T10,' CAMAC ''INHIBIT'' AND TEST',
*     ' VOLTAGE ON FRONT PANNEL INPUT')
    WRITE(6,122)
122  FORMAT('0',X,T10,
*     ' CHANNEL          SLOPE    PEDESTRAL',
```

```

* ' CORRELATION CONVERSION FACTOR',/,T10,
* ' [cnts/Volt] [cnts]',
* ' [pC/cent]')
DO 45 JJ=1,12
J=JJ
A1=(SUMIV(J)-SUMV*SUMI(J)/N)/B
AO=(SUMI(J)-A1*SUMV)/N
C=SUMII(J)-SUMI(J)**2/N
RR=9999.999
IF(C.NE.0.) RR=(SUMIV(J)-SUMV*SUMI(J)/N)**2/C/B
WRITE(6,123) J-1,A1,AO,RR,12.5/A1
FORMAT(X,T10,I6,F15.2,F13.2,F15.3,F15.3)
WRITE(6,109) NUM,N/NUM
FORMAT('0',T10,I4,' TEST GATES AT EACH OF'
*,I4,' VOLTAGE SETTINGS',/, '0')
WRITE(7,111)
FORMAT(' ENTER TEXT FOR PRINTOUT (80A)')
READ(5,112) TEXT
FORMAT(80A)
IF(TEXT(1).EQ.32.AND.TEXT(2).EQ.32) GOTO 60
WRITE(6,113) TEXT
FORMAT(X,T10,80A)
GOTO 55
CLOSE(UNIT=6)
GOTO 1
END

```

FORTRAN IV Storage Map for Program Unit THDM4

Local Variables, .PSECT \$DATA, Size = 002272 (605. words)

Name	Type	Offset	Name	Type	Offset	Name	Type	Offset
AA	R*4	002102	AO	R*4	002066	A1	R*4	002062
B	R*4	002056	C	R*4	002072	CH1L	R*4	002152
CH1U	R*4	002146	CH2L	R*4	002162	CH2U	R*4	002156
DSTR1	R*4	002204	DSTR2	R*4	002210	EFAK	R*4	002106
EPHEL1	R*4	002112	EPHEL2	R*4	002116	HVOL	R*4	002166
I	I*2	002050	IQ	I*2	002052	J	I*2	002054
JJ	I*2	002026	N	I*2	002040	NTAB	I*2	002172
NUM	I*2	002042	RR	R*4	002076	STR1	R*4	002174
STR2	R*4	002200	SUMV	R*4	002030	SUMVV	R*4	002034
TFAK1	R*4	002136	TFAK2	R*4	002142	TRANS1	R*4	002122
TRANS2	R*4	002126	V	R*4	002044	VOL	R*4	002132

Local and COMMON Arrays:

Name	Type	Section	Offset	-----Size-----	Dimensions
ADATE	L*1	\$DATA	001430	000011 (5.)	(3)
ATIME	L*1	\$DATA	001441	000010 (4.)	(8)
GAIN	R*4	\$DATA	000140	000060 (24.)	(12)
GAIN0	R*4	\$DATA	000220	000060 (24.)	(12)

N1	I*2	\$DATA	001120	000144	(50.)	(50)
N2	I*2	\$DATA	001264	000144	(50.)	(50)
PED	R*4	\$DATA	000000	000060	(24.)	(12)
PEDO	R*4	\$DATA	000060	000060	(24.)	(12)
R	R*4	\$DATA	000610	000310	(100.)	(50)
SUMI	R*4	\$DATA	001572	000060	(24.)	(12)
SUMII	R*4	\$DATA	001732	000060	(24.)	(12)
SUMIV	R*4	\$DATA	001652	000060	(24.)	(12)
TEMP	R*4	\$DATA	000300	000310	(100.)	(50)
TEXT	L*1	\$DATA	001451	000120	(40.)	(80)

Subroutines, Functions, Statement and Processor-Defined Functions:

Name	Type	Name	Type	Name	Type	Name	Type	Name	Type
CSSA	R*4	DATE	R*4	FLOAT	R*4	ISLEEP	I*2	TIME	R*4

APPENDIX G

Subroutine ADC12

This appendix contains a listing of the subroutine ADC12. The subroutine is linked to the MASTER program and called twice by the routine GEM for initialization and data readout of the charge integrating ADC (LeCroy 2250L).

In the call of ADC12, N=1 for initialization and N=2 for data readout. ILAS is the array which should receive the data.

V02.5-2 Wed 22-Jun-83 18:22:16

```
SUBROUTINE ADC12(N, ILAS)
  BYTE TEST
  INTEGER IDAT(12,4), ILAS(6,4)
  GOTO(10,20) N
  CALL CSSA(9,4*512,I,IQ)
  RETURN
  DO 30 JJ=1,4
  DO 30 J=1,12
  IDAT(J,JJ)=0
  II=1
  III=0
  CALL CSSA(0,4*512+11*32,I,IQ)
  IF(IQ.NE.0) GOTO 50
  IF(II.EQ.1.OR.II.EQ.3) GOTO 80
  TYPE *, '*** WARNING - MISSING TRIGGER'
  GOTO 80
  III=III+1
  DO 60 J=0,11
  JJ=J
  CALL CSSA(2,4*512+J*32, IDAT(JJ+1,II), IQ)
  IF(IQ.EQ.0) TYPE *, '*** WARNING -- NO Q RESPONSE'
  * ' FROM CHANNEL ',JJ, ' ***'
  CONTINUE
  IF((II.EQ.1.OR.II.EQ.3).AND.IDAT(1,II).LT.20) GOTO 40
  IF(II.EQ.2.OR.II.EQ.4) GOTO 70
  II=II+1
  GOTO 40
  IF(II.EQ.4) GOTO 80
  II=3
  GOTO 40
  DO 90 JJ=1,4
  DO 90 J=1,4
  ILAS(J,JJ)=IDAT(J,JJ)
  IF(III.EQ.0) GOTO 99
  WRITE(7,*) 'RAW THOMSON DATA:'
```


APPENDIX H

Gate Pulse Trigger

This appendix shortly describes the function of the Gate Pulse Trigger module (P 1358). It also includes a circuit drawing.

The module responds to two CAMAC functions.

F1A15 reads a preset module identification from a DIP switch. This function is not so interesting from the experimentalists point of view.

F16A0 flashes 4 LEDs according to the bits 0, 1, 2 and 3 of the data word. It also generates a Gain OUT pulse for photomultiplier gating and a trigger for the Gate Pulse Generator (G.P.G.OUT). If the LEDs are mounted inside the spectrometer close to the input slit, this allows you to check the sensitivity of the data acquisition system. F16A0 with bit 4 set in the data word generates a Test OUT pulse suited for a laser diode to trigger the ruby laser energy monitor. This also gives a Gain OUT pulse for the photomultipliers but does not generate a trigger on G.P.G.OUT. Using this function you can check the triggering system right from the laser energy monitor.

The Sync IN input should receive a sync pulse from the ruby laser. The module then produces a Gain OUT pulse after a preset delay.

The 90 V OUT is designed for energizing a laser energy monitor diode.

The output from the laser energy monitor is fed into the Monitor IN input. Here the signal is divided by a resistive network into the outputs C.F.D.OUT for the Constant Fraction Discriminator and

ADC OUR for the charge integrating ADC. The signal from the Constant Fraction Discriminator is connected to C.F.D.IN where the polarity is inverted before it appears on G.P.G.OUT for the Gate Pulse Generator.

The features of Sync IN, Gain OUT, Test OUT, LED OUT and 90 V OUT have not been incorporated into the present design of the diagnostic.

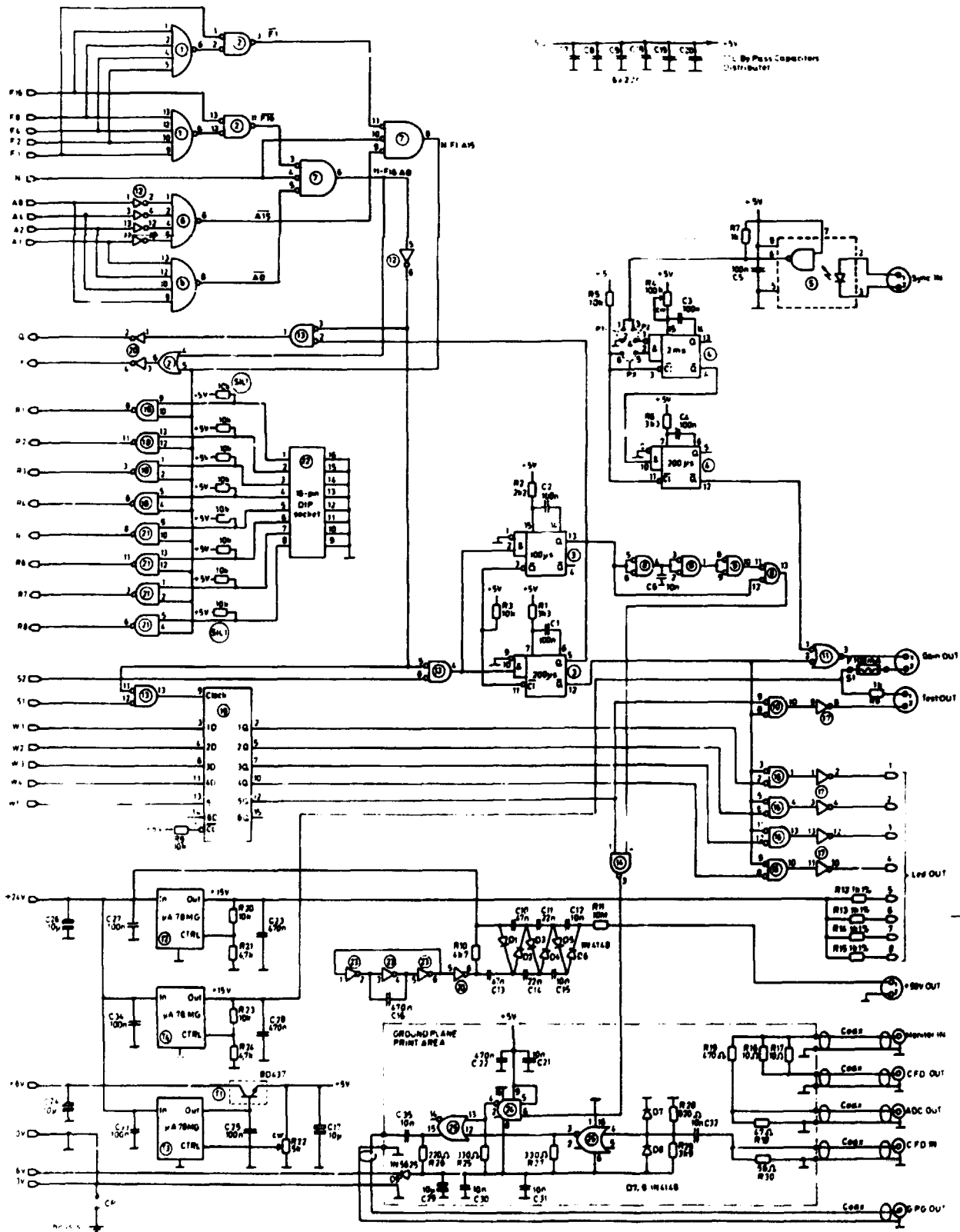


Fig. H-1. Diagram of Gate Pulse Trigger module.

INDEX

ADC	22, 24, 25, 26, 36
ADC12	31, 64
Alignment	9, 10, 12, 15
Aperture	8, 10, 12
Autocollimator	10
Baffles	12
Beam divergence	10
Beam expander	9, 10
Blue glass	12, 13
Brewster angle	12
Calibration	16, 24, 25
Capacitor bank	8
Collecting optics	13, 14
Constant Fraction Discriminator	23, 32
Control unit	8
Cooling	8
Data analysis	29
Dispersion	17
Flash lamp	8, 9
Gate	21, 22
Gate Pulse Generator	22, 25
Gate Pulse Trigger	22, 25, 66
Gaussian spectrum	29, 37
Grating	15
He-Ne laser	8, 9, 13, 15
Heat exchanger	8
High voltage	20, 21

Input optics	6, 11, 12
Input slit	13, 15
Interlock	9
Laser amplifier	8
Laser mirror	8, 10, 11, 13
Laser monitor	11, 22, 24, 28
Lens	14
Magnetic field	20
Mask	16
MASTER	31
Optical transmission	26
Oscillator	8
Output slit	15
Photomultiplier	16, 20, 24, 25
Pinhole	13
Planck formula	27
Plasma current	73, 32
Pockels Cell	8, 9, 21
Polarization of ruby laser	12
Polarizer	8, 9
Q-switch	8, 9
Quantum efficiency	20
Ruby laser	6, 7, 11
Ruby rod	8, 9
Scattering volume	15
Solid angle	14
Spectral line	16, 29
Spectrometer	13, 15, 16
Spherical mirror	15
Spindle system	16
Stray light	12, 15, 28

Thermoswitch	8
THOMO	37, 51
THOM1	35, 56
THOM2	35, 56
THOM3	35, 56
THOM4	36, 60
THOMSO	31, 32, 33, 43
THOMSO.DAT	33, 34, 35, 36, 37
THOMST	31, 32, 34, 46
THOMST.DAT	34
THOMWR	32, 38
Time of measurement	23
Timing	9
Transformer	20, 21
Transmission filter	16
Tungsten lamp	17, 26
Viewing dump	15

2397

Risø - M -

<p>Title and author(s)</p> <p>The Thomson Scattering system at DANTE</p> <p>M. Gadeberg</p>	<p>Date</p> <p>August 1983</p>
<p>70 pages + tables + illustrations</p>	<p>Department or group</p> <p>Physics Dept.</p>
<p>Abstract</p> <p>This report describes the construction and operation of the 90 deg Thomson Scattering diagnostic at DANTE. The system is based on a double-pulse ruby laser and a three channel soectrometer. Two single point measurements can be made during each plasma discharge.</p> <p>Available on request from Risø Library, Risø National Laboratory (Risø Bibliotek), Forsøgsanlæg Risø), DK-4000 Roskilde, Denmark Telephone: (02) 37 12 12, ext. 2262. Telex: 43116</p>	<p>Group's own registration number(s)</p> <p>Copies to</p>